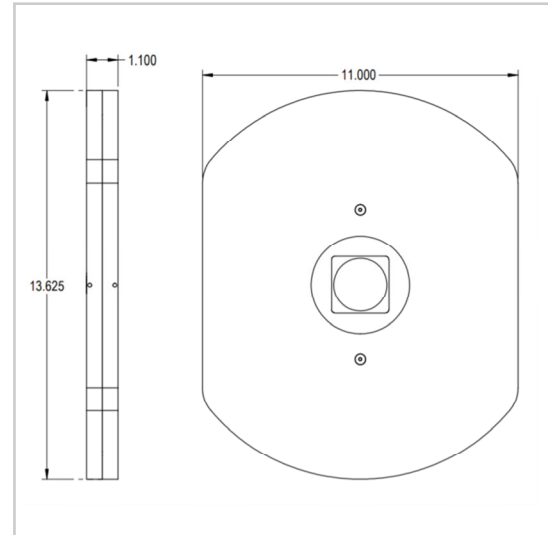


Color Filter Wheel

CL-1-14

Rugged Design Unmatched Precision Flexible Performance

The CenterLine's unique dual carousel design with central aperture has long been the filter wheel of choice to avoid telescope balance issues. Typically one position in each carousel is empty, providing 12 usable positions. Some users place two optical elements in the path, for example, a filter and a polarizer. CenterLine filter wheels use the proprietary CenterLine Zero Tilt Adapter™ (ZTA) for complete elimination of problems associated with loose connections. <https://www.flicamera.com/ZTA.mp4> and <https://www.flicamera.com/cfw/index.html>



Technical Data

Filter Positions	2 Overlapping Carousels, 7 positions each
Recommended Filter Size (+/- 0.125 mm)	48.875mm to 2.005" diameter
Filter Thickness Range	1 to 5 mm
Wheels	2
Overall Thickness (less motor)	1.1" (27.94 mm)
Weight	4.3 lbs. (1.95 kg)
Interface	USB
Camera Side Connection	CenterLine ZTA™ flange
Optical Side Connection	CenterLine ZTA™ flange
Wheel Material	Aluminum
Power	12V
Drawing URL	www.flicamera.com/drawings/CL-1-14.pdf