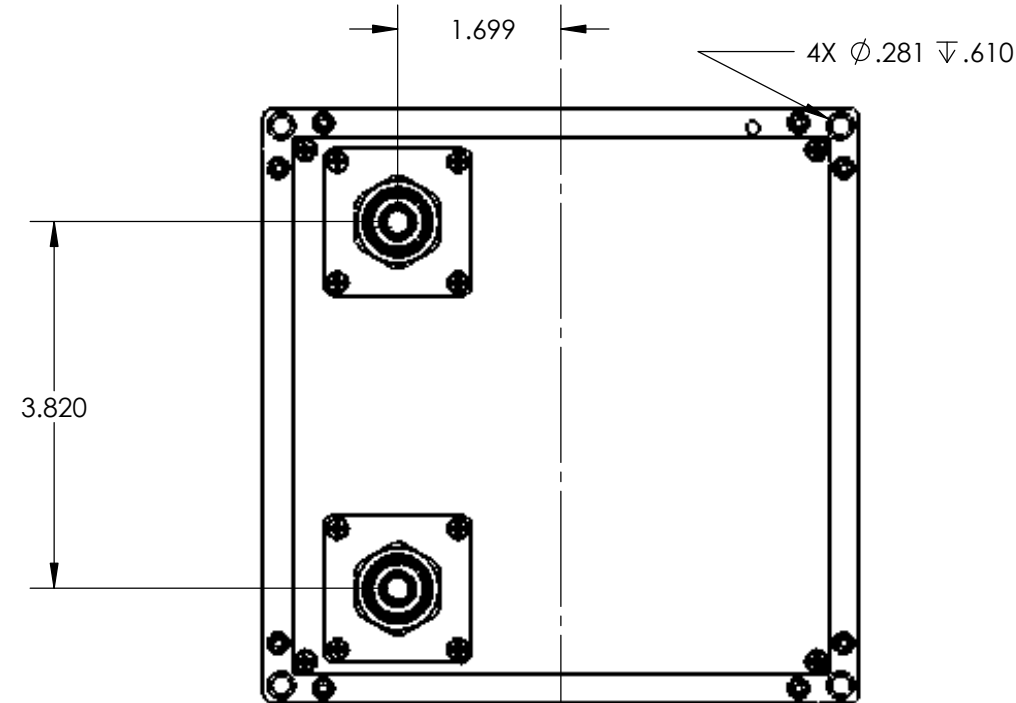
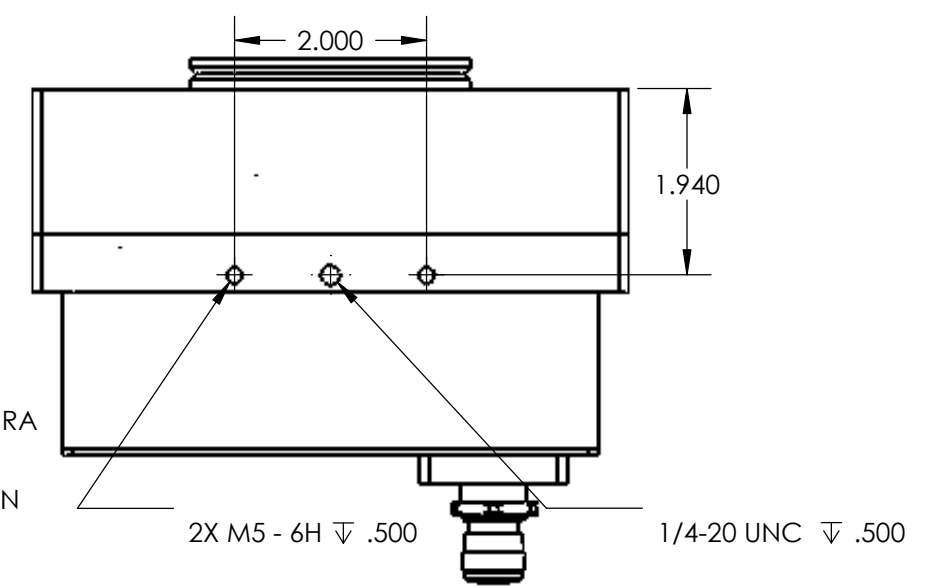
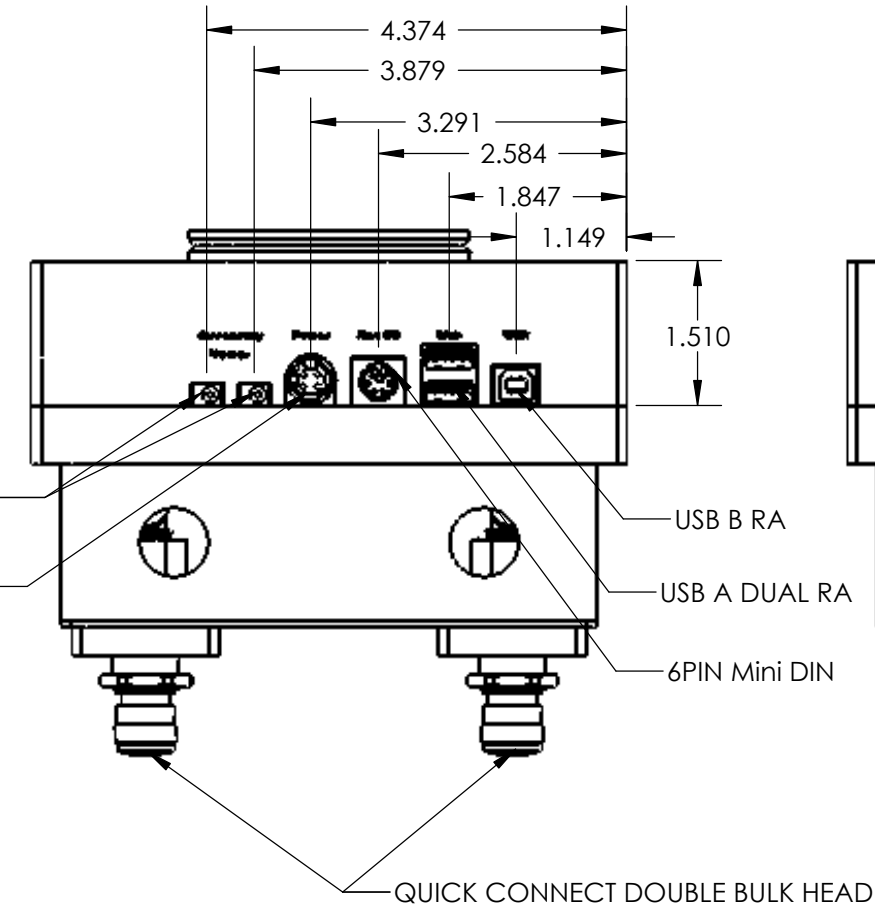
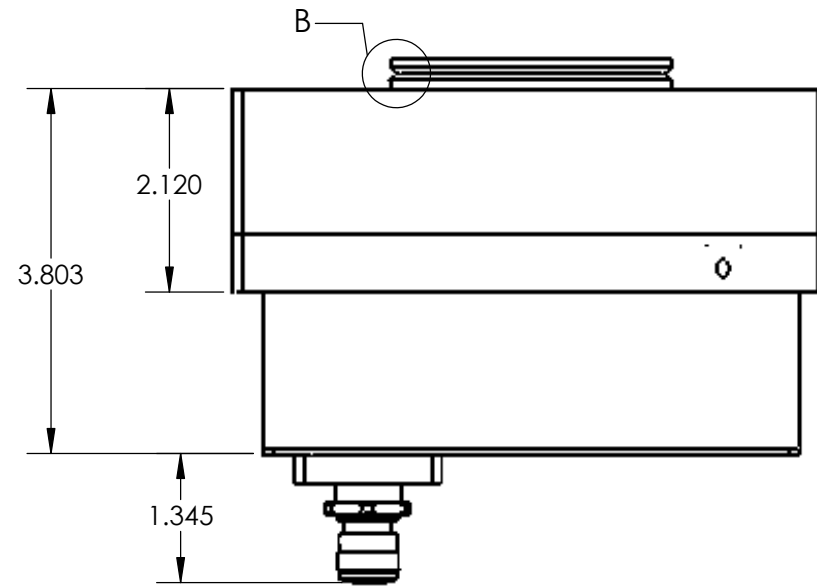
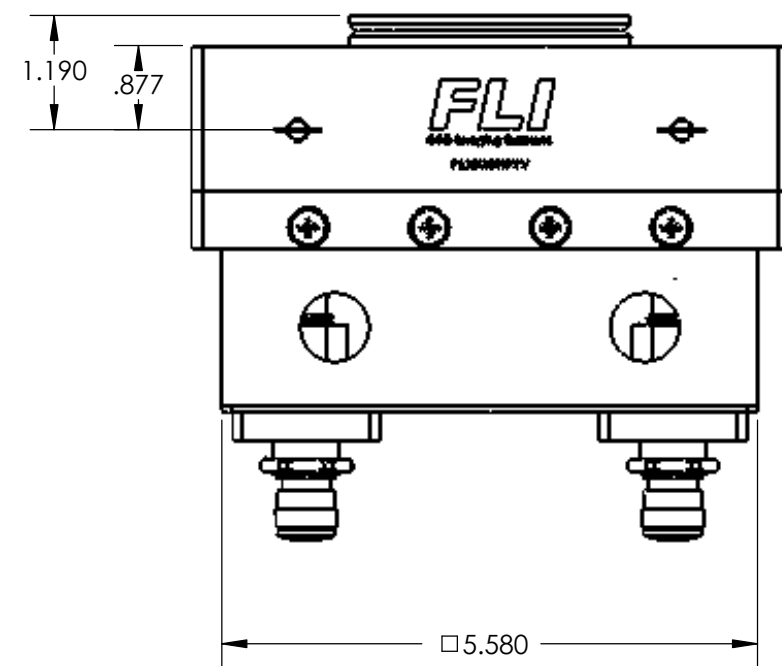
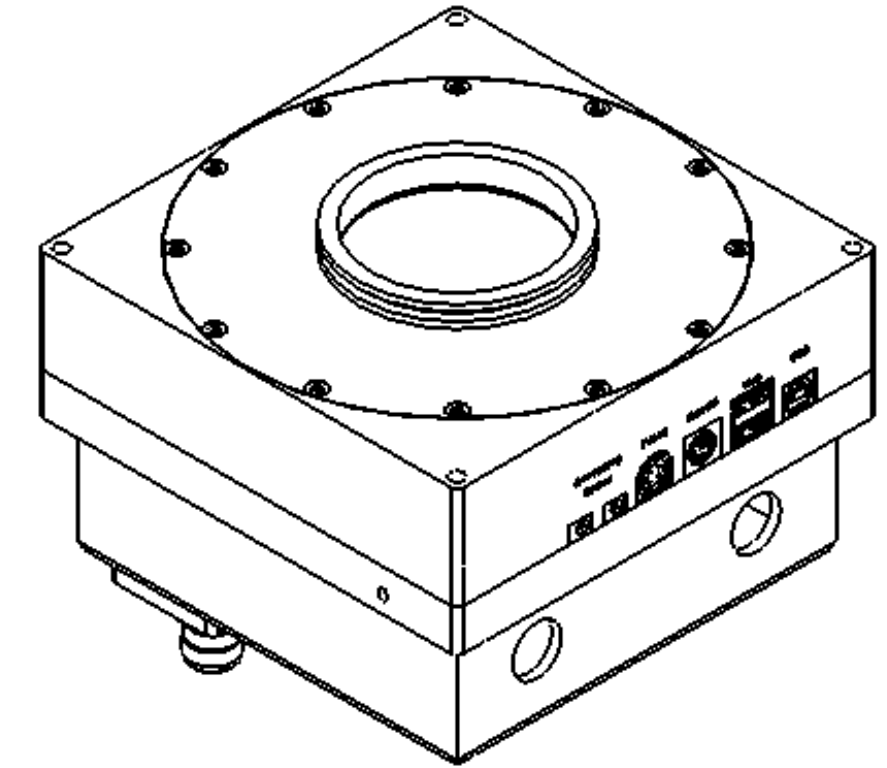
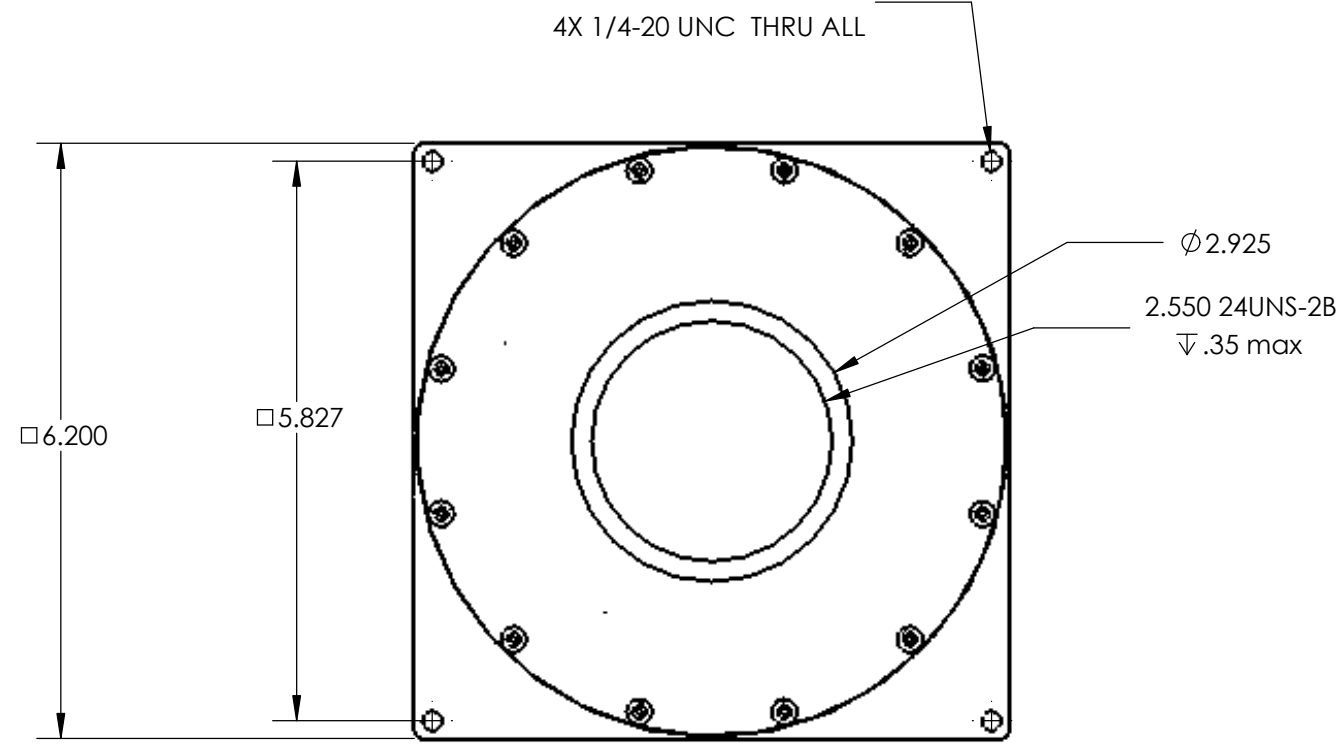


DETAIL B  
SCALE 2 : 1



**PROPRIETARY AND CONFIDENTIAL**  
THE INFORMATION CONTAINED IN THIS DRAWING IS THE SOLE PROPERTY OF ANY REPRODUCTION IN PART OR AS A WHOLE WITHOUT THE WRITTEN PERMISSION OF IS PROHIBITED.

UNLESS OTHERWISE SPECIFIED:		DRAWN	NAME	DATE
DIMENSIONS ARE IN INCHES		REC		04/18/06
TOLERANCES:		CHECKED		
ANGULAR: ±1°		ENG APPR.		
TWO PLACE DECIMAL ±.01		MFG APPR.		
THREE PLACE DECIMAL ±.003		Q.A.		
FOUR PLACE DECIMAL ±.0005		COMMENTS:		
INTERPRET GEOMETRIC TOLERANCING PER:				
MATERIAL:				
FINISH:				
NEXT ASSY	USED ON			
APPLICATION	DO NOT SCALE DRAWING			

PL(X) 65MM where (x) = sensor pn		
TITLE: <b>Camera Assy PROLINE</b>		
SIZE <b>C</b>	DWG. NO. ASSY PL 65MM LC	REV -
SCALE: 1:2	WEIGHT:	SHEET 1 OF 1