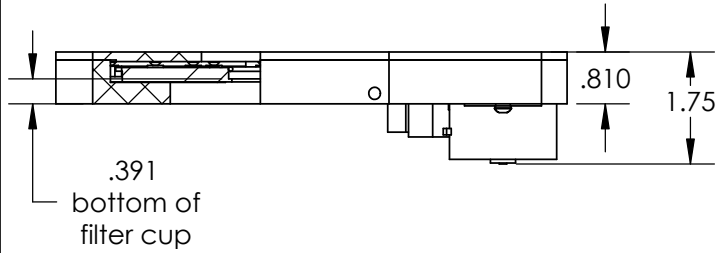
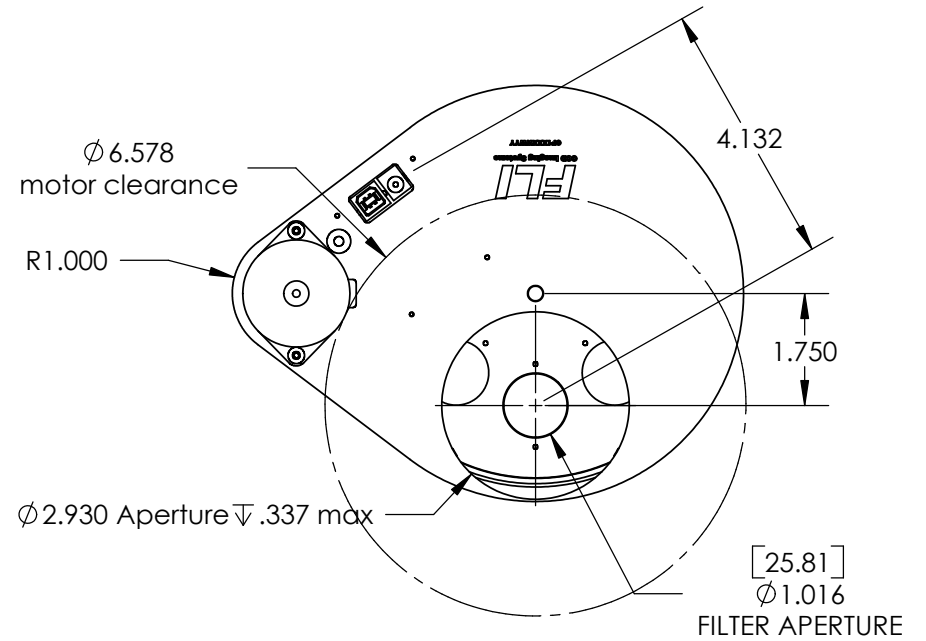
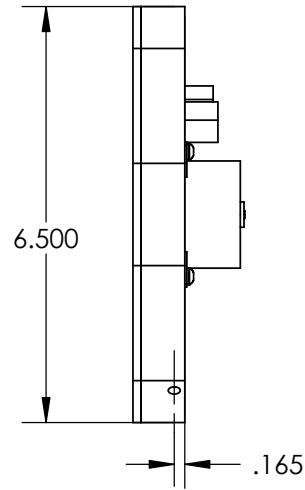
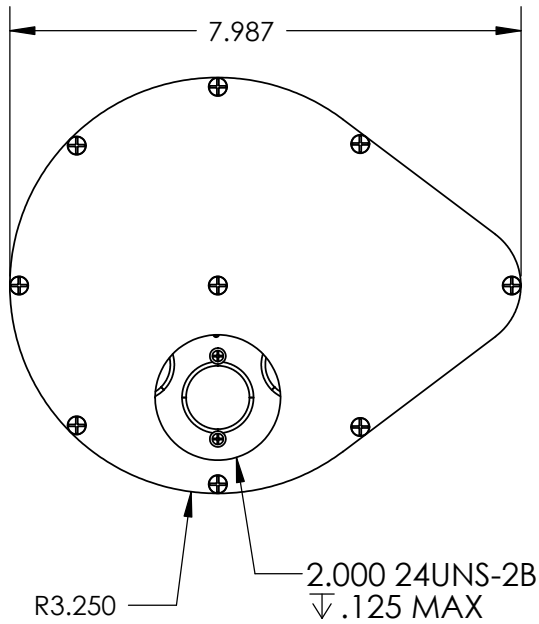


REV.	DESCRIPTION	DATE
A	Release	4/19/2011



SIZE	A	DRAWN BY	REC	TITLE:
		APPRV BY		CFW1_8R_28mm
UNLESS OTHERWISE SPECIFIED:				PN:
DIMENSIONS ARE IN INCHES				COMMENTS:
TOLERANCES:				
ANGULAR: ±1°				
TWO PLACE DECIMAL ±.01				
THREE PLACE DECIMAL ±.003				REV
FOUR PLACE DECIMAL ±.0005				A
PROPRIETARY AND CONFIDENTIAL				SCALE: 1:3
THE INFORMATION CONTAINED IN THIS DRAWING IS THE SOLE PROPERTY OF FINGER LAKES INSTRUMENTATION. ANY REPRODUCTION IN PART OR AS A WHOLE WITHOUT THE WRITTEN PERMISSION OF FINGER LAKES INSTRUMENTATION IS PROHIBITED.				DO NOT SCALE DRAWING
				SHEET 1 OF 1

5

↑

4

3

2

1