

REV.	DESCRIPTION	DATE
A	Release	5/14/06
B	Move Logo	3/8/2010

1/4-20 UNC ∇ 0.50

[114.3]
 ϕ 4.50

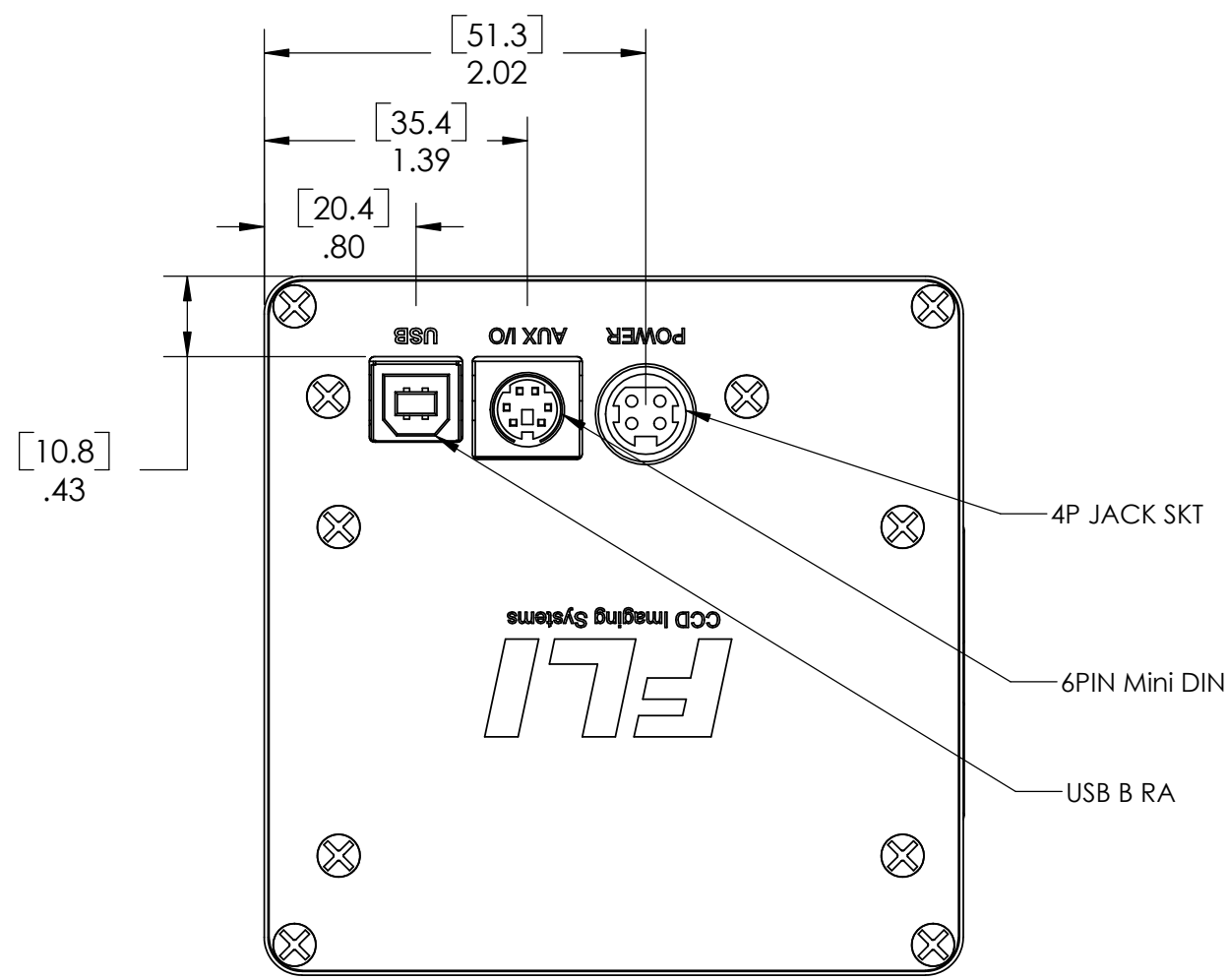
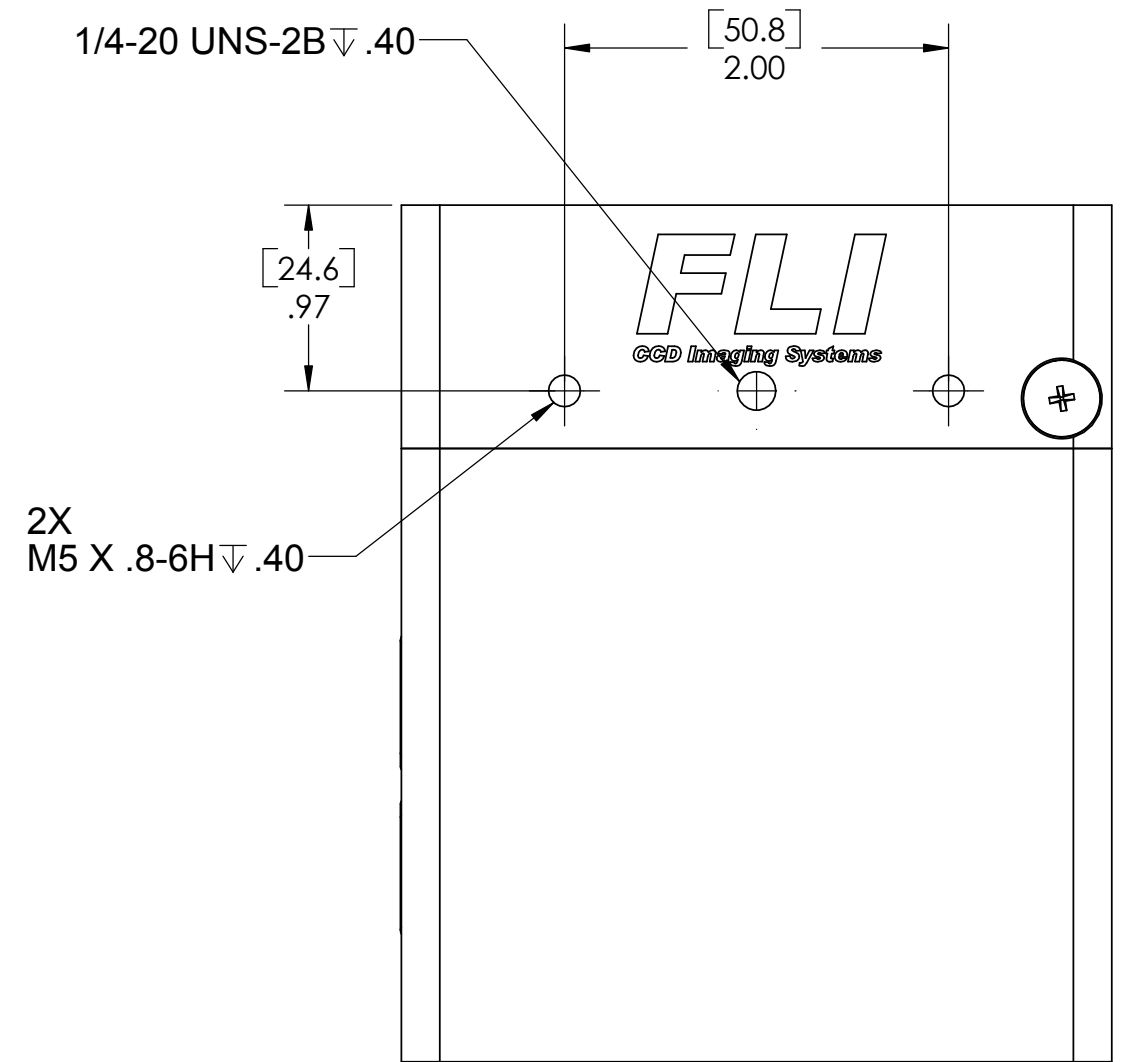
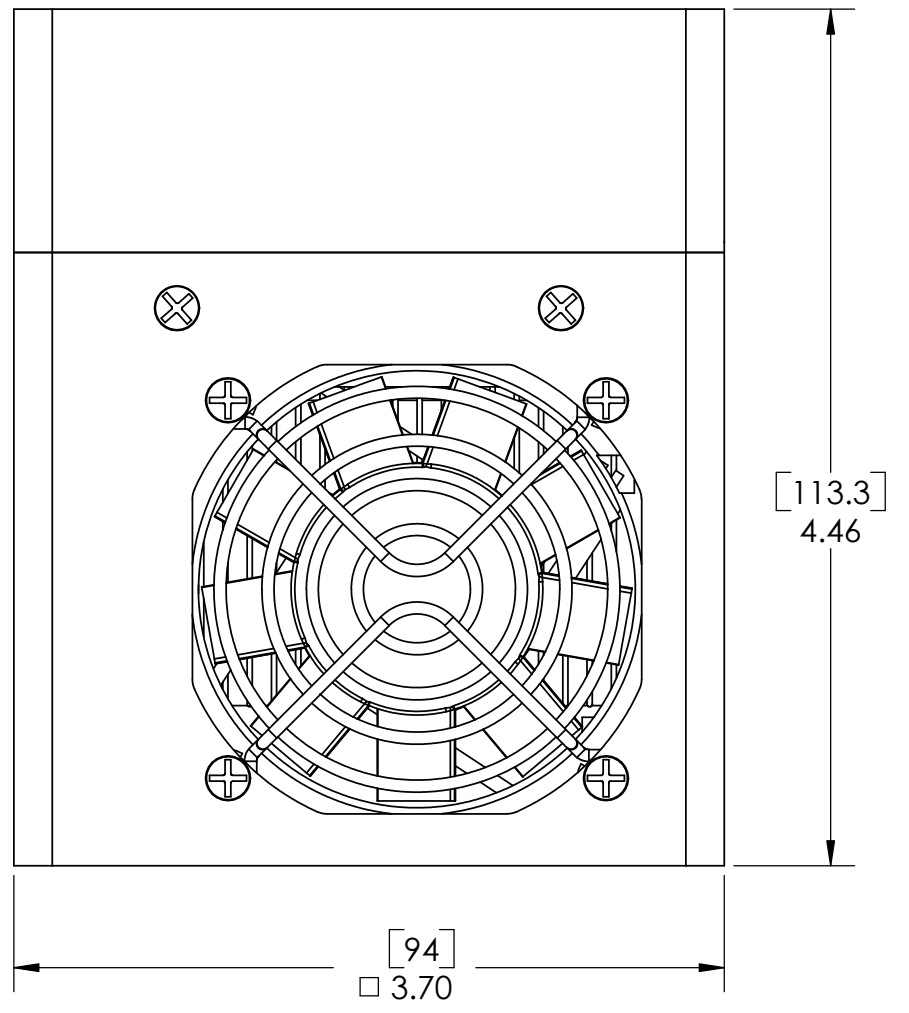
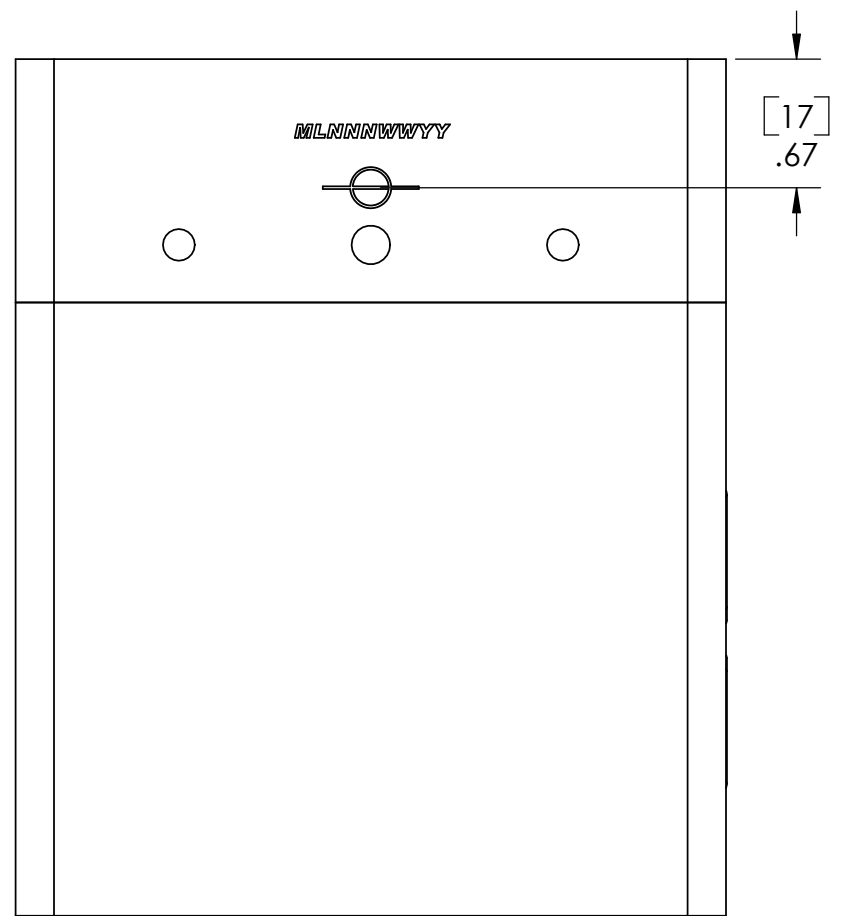
[61.5]
 ϕ 2.42

4-40 UNC ∇ 0.16
 \surd ϕ 0.15 X 82°, Near Side

[85.2]
 ϕ 3.36

[128.7]
5.07

[5.1]
R.20



UNLESS OTHERWISE SPECIFIED:		NAME	DATE	PN: MICROLINE
DIMENSIONS ARE IN INCHES		DRAWN	REC	05/14/06
TOLERANCES:		CHECKED		
ANGULAR: \pm 1°		ENG APPR.		
TWO PLACE DECIMAL \pm .01		MFG APPR.		
THREE PLACE DECIMAL \pm .003				
FOUR PLACE DECIMAL \pm .0005				
INTERPRET GEOMETRIC TOLERANCING PER:		Q.A.		
MATERIAL		PROPRIETARY AND CONFIDENTIAL		
FINISH		THE INFORMATION CONTAINED IN THIS DRAWING IS THE SOLE PROPERTY OF FINGER LAKES INSTRUMENTATION. ANY REPRODUCTION IN PART OR AS A WHOLE WITHOUT THE WRITTEN PERMISSION OF FINGER LAKES INSTRUMENTATION IS PROHIBITED.		
DO NOT SCALE DRAWING		SIZE		REV
		C		B
		SCALE: 1:1	WEIGHT:	SHEET 1 OF 1

TITLE:
ASSY_ML(X)_NS_AC
where (X) = sensor pn