

REV.	DESCRIPTION	DATE
A	Add nose c-bore dim.	3/30/2009
B	Cover shutter drive pin, add t-thread note.	11/7/2009
C	Move Logo, add M5 holes	1/25/2010

T-THREAD ∇ .12 MAX

2.013-24 UNS-2B ∇ .325

8-32 UNC ∇ .30

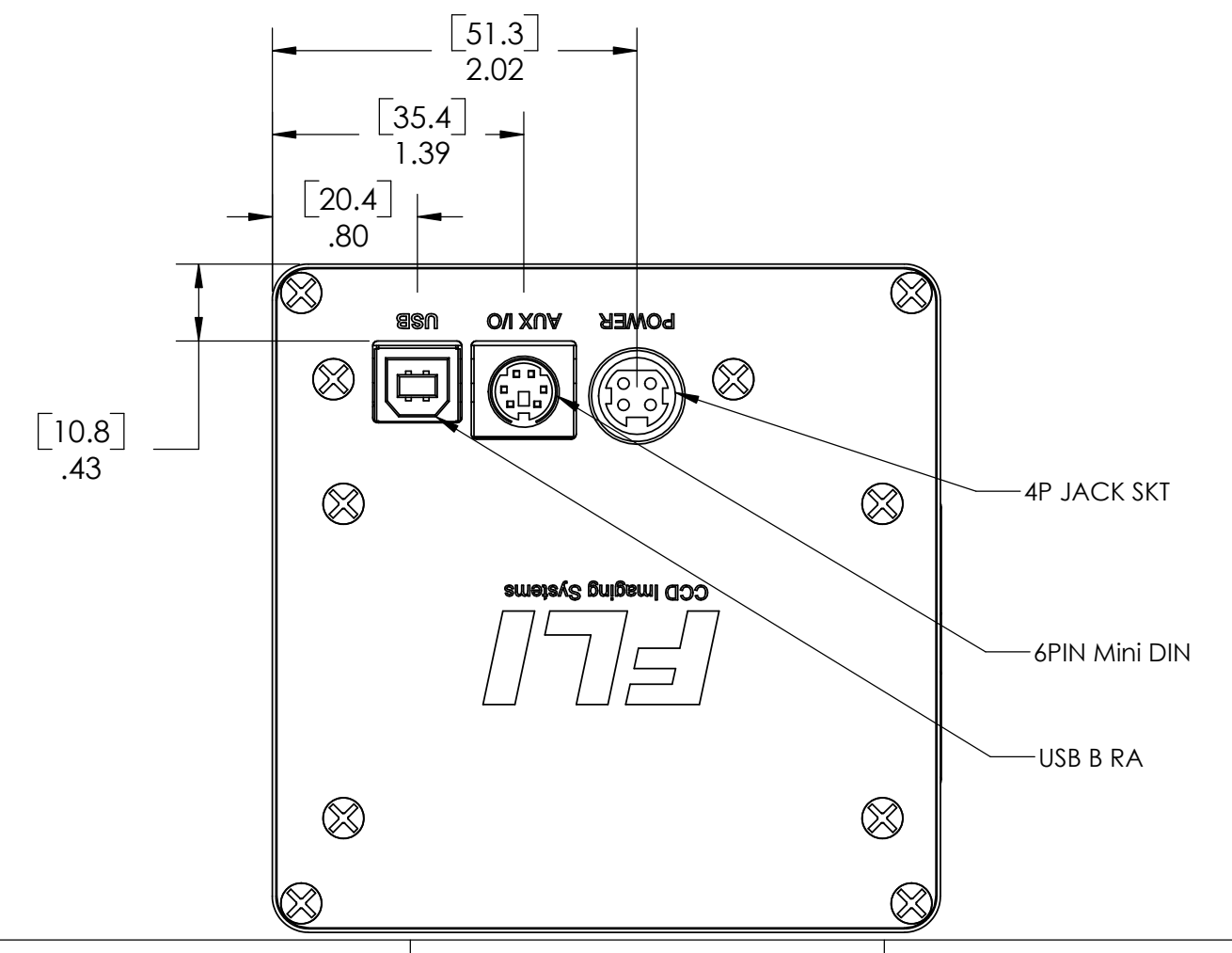
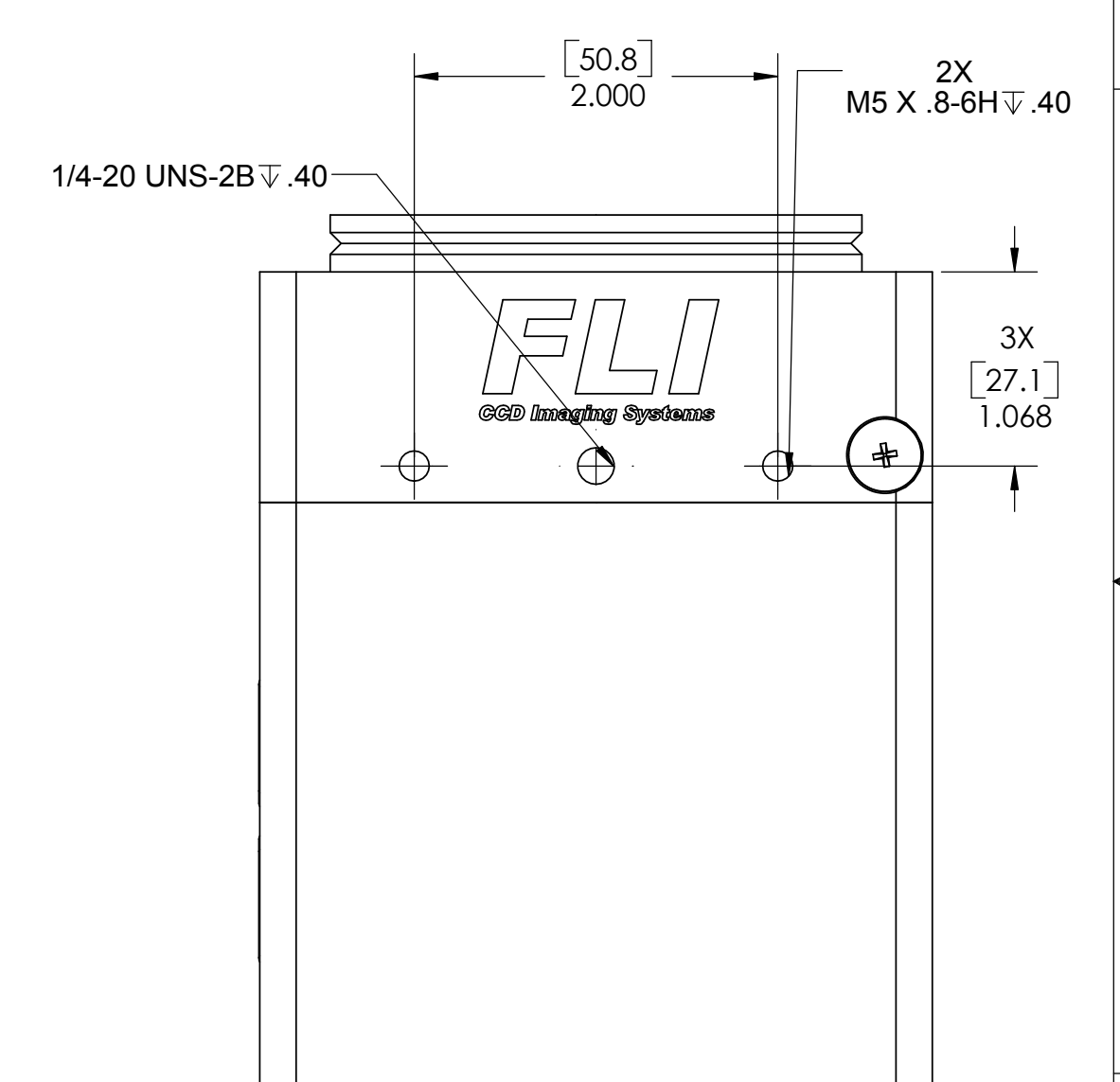
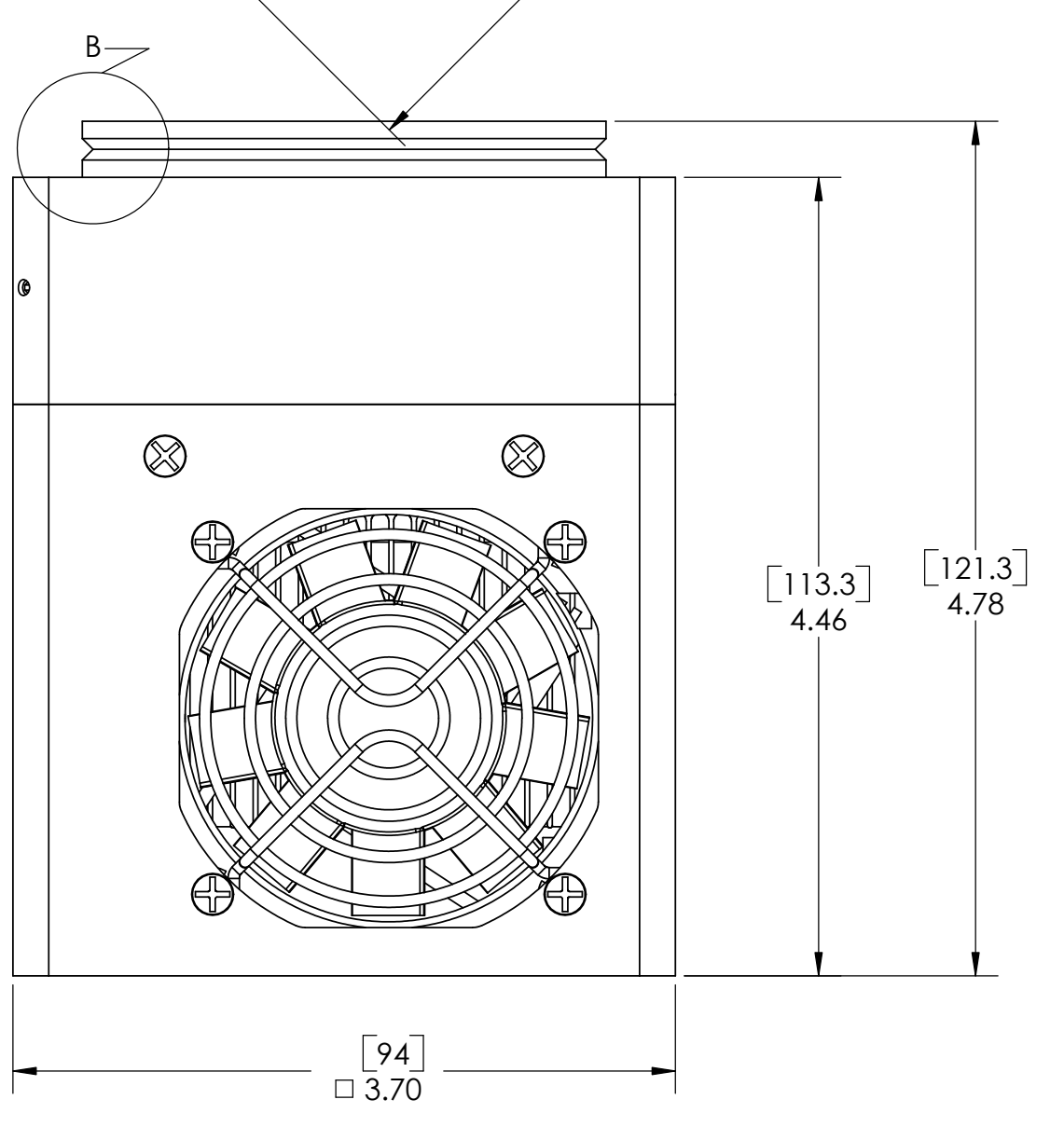
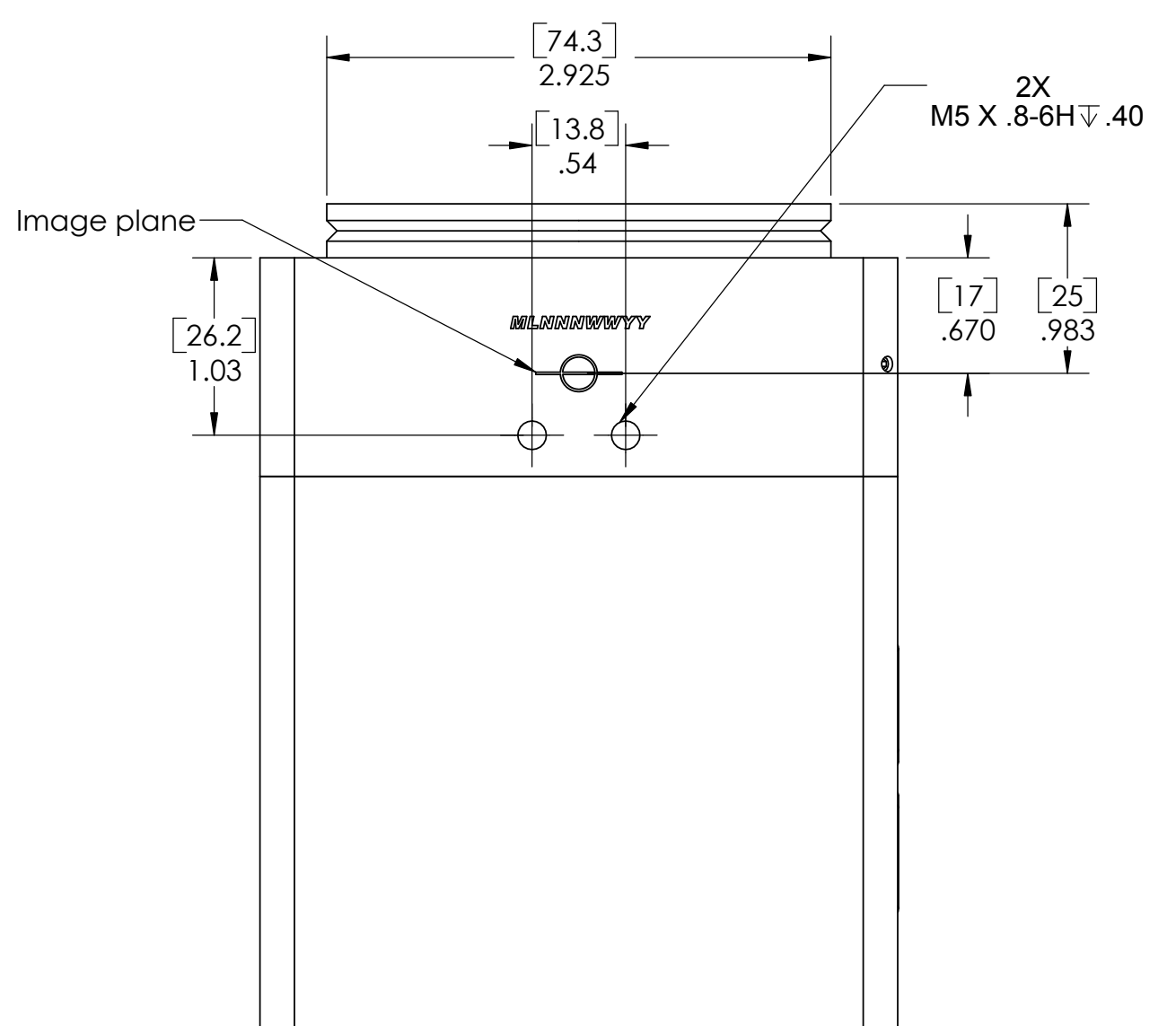
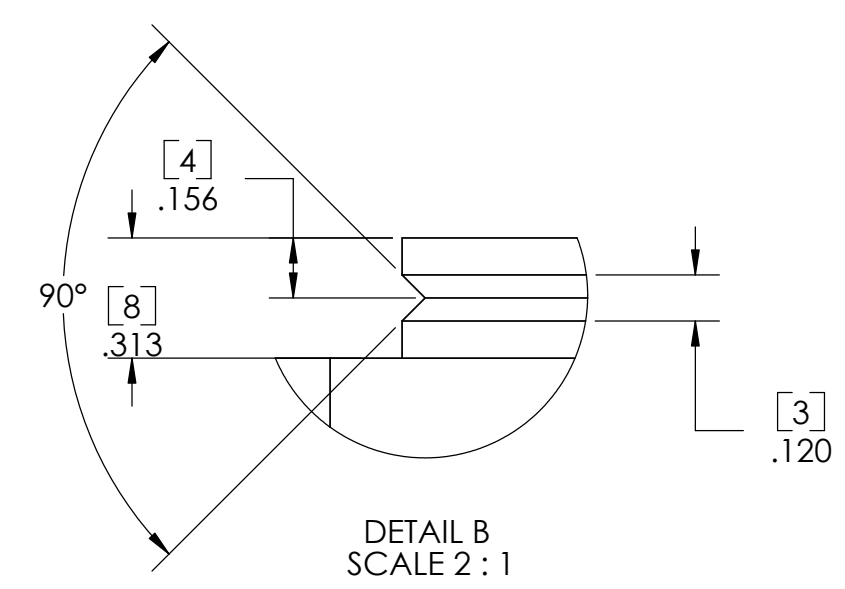
[114.3]
 ϕ 4.50

[63.5]
 ϕ 2.50

[128.7]
5.07

[5.1]
R.20

1/4-20 UNC ∇ .75



UNLESS OTHERWISE SPECIFIED:		NAME	DATE	PN:	Microline	
DIMENSIONS ARE IN INCHES		DRAWN	REC	05/14/06	TITLE:	
TOLERANCES:		CHECKED			ASSY_ML(X)_41MM_AC	
ANGULAR: \pm 1°		ENG APPR.			where (X) = sensor pn	
TWO PLACE DECIMAL \pm .01		MFG APPR.			SIZE	COMMENTS:
THREE PLACE DECIMAL \pm .003					C	
FOUR PLACE DECIMAL \pm .0005					REV	C
INTERPRET GEOMETRIC TOLERANCING PER:		Q.A.			SCALE: 1:1	WEIGHT:
MATERIAL		PROPRIETARY AND CONFIDENTIAL				SHEET 1 OF 1
FINISH		THE INFORMATION CONTAINED IN THIS DRAWING IS THE SOLE PROPERTY OF FINGER LAKES INSTRUMENTATION. ANY REPRODUCTION IN PART OR AS A WHOLE WITHOUT THE WRITTEN PERMISSION OF FINGER LAKES INSTRUMENTATION IS PROHIBITED.				
DO NOT SCALE DRAWING						