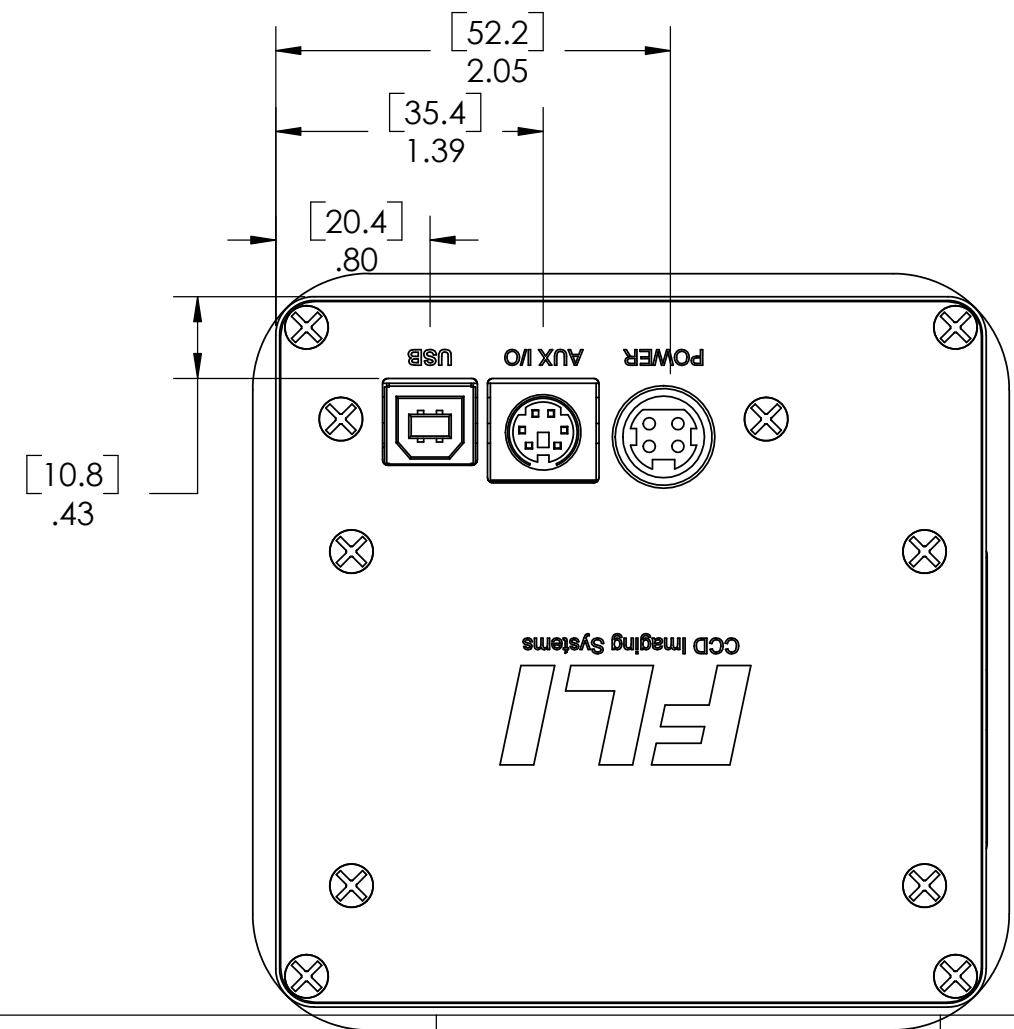
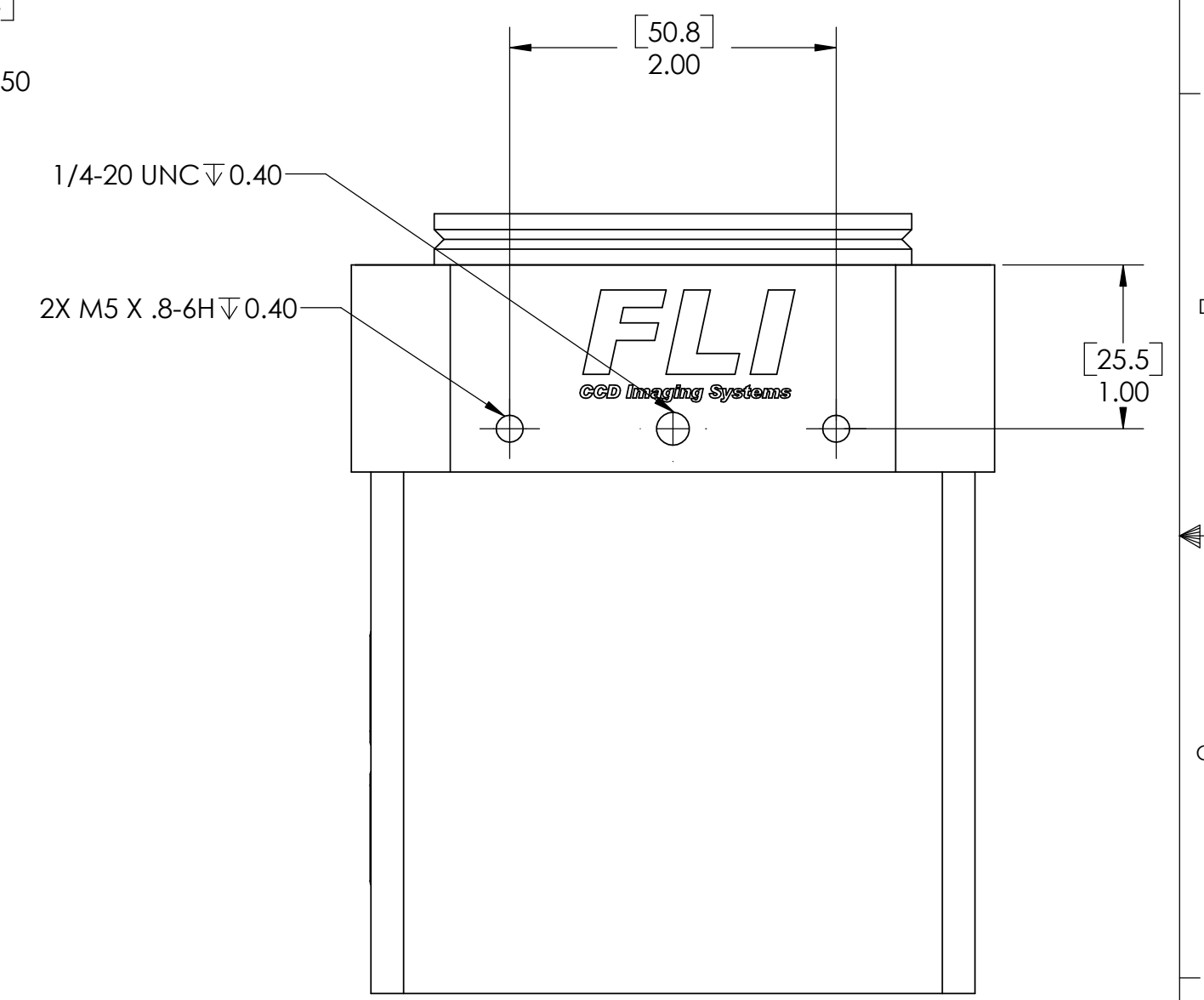
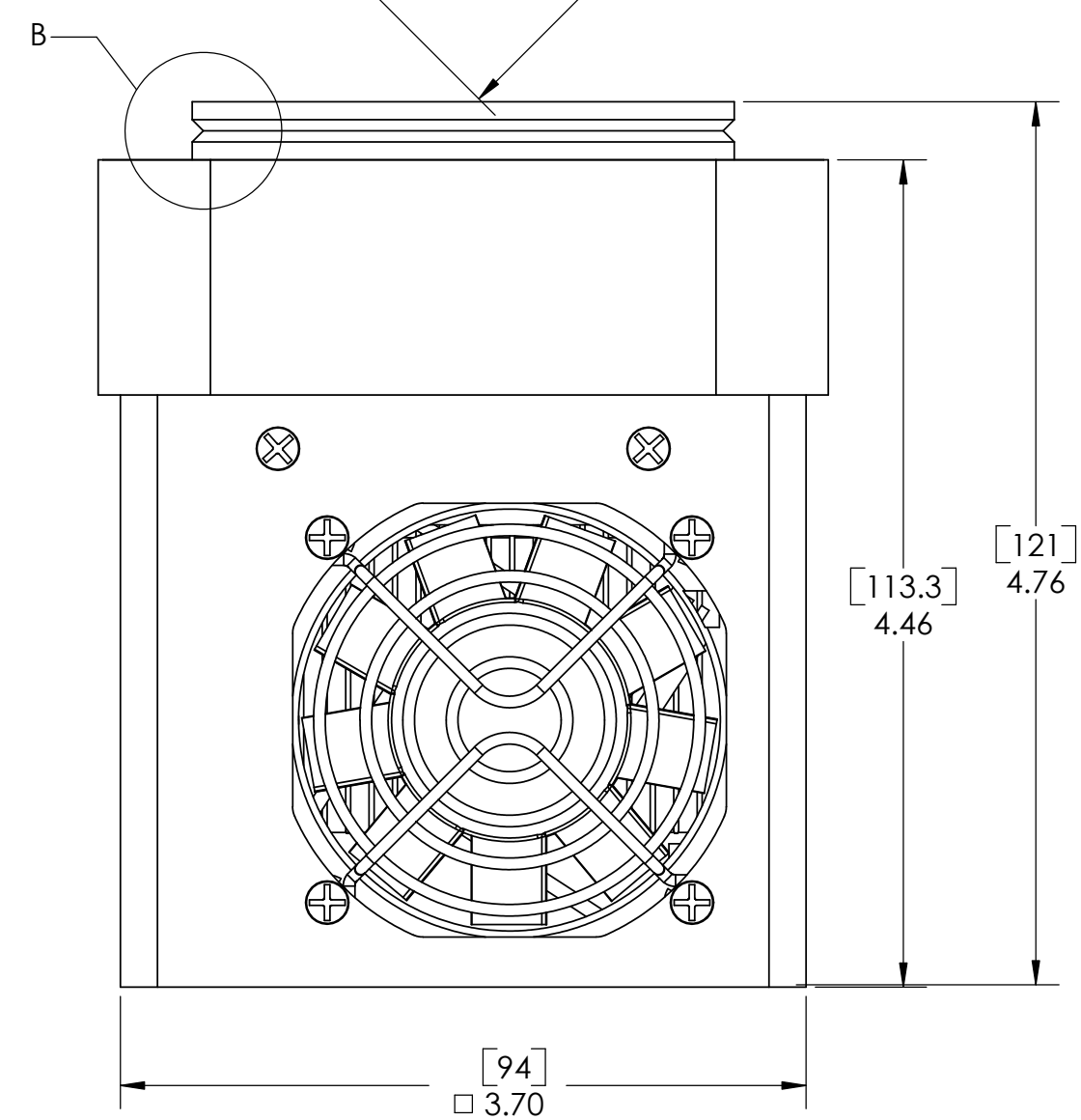
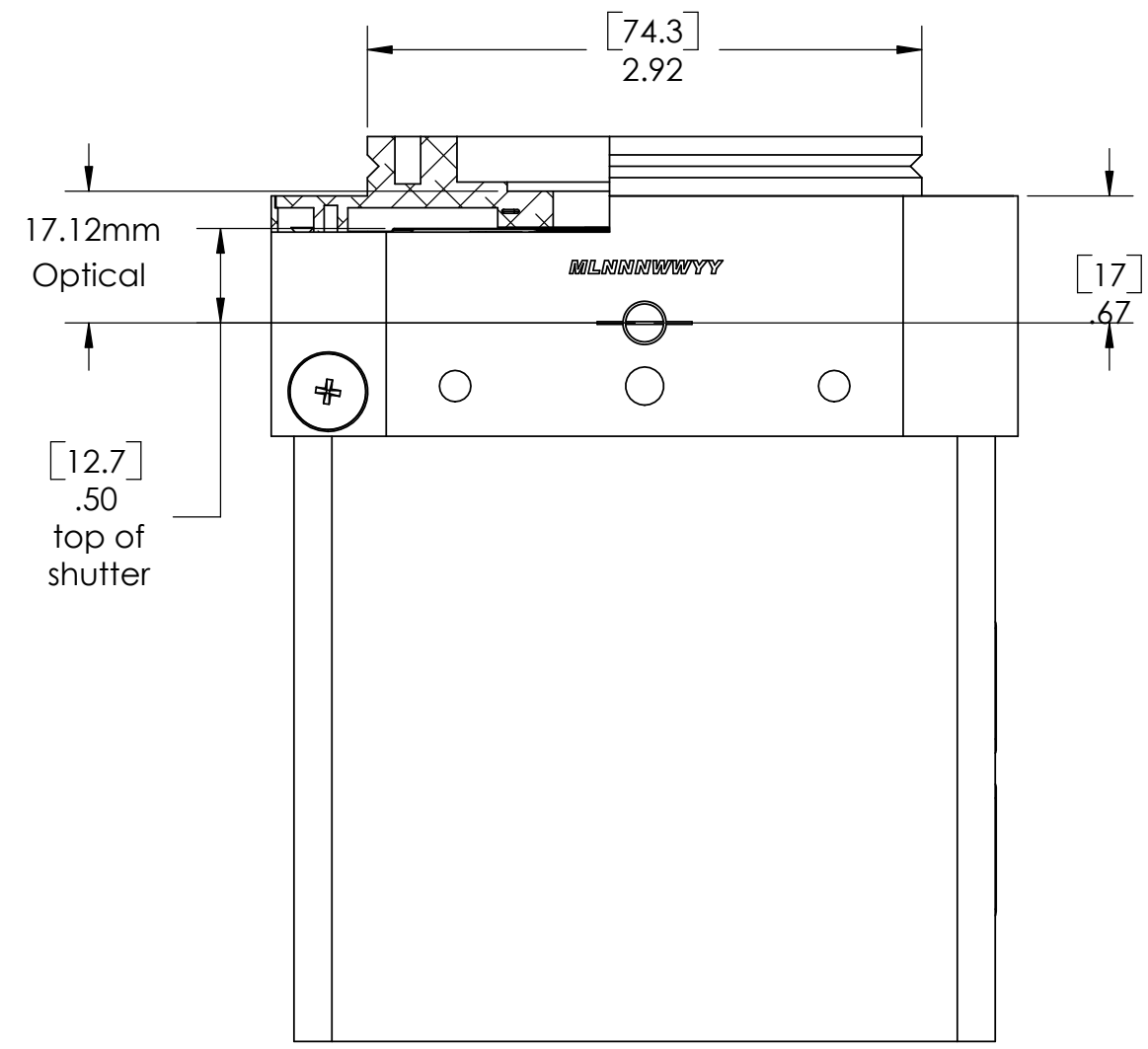
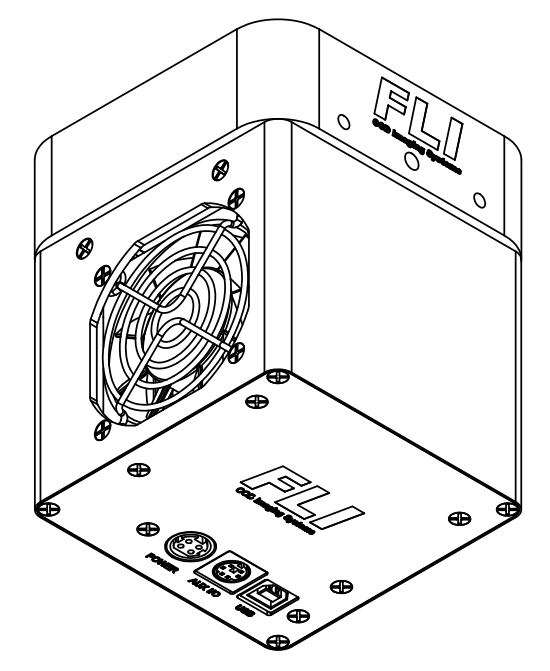
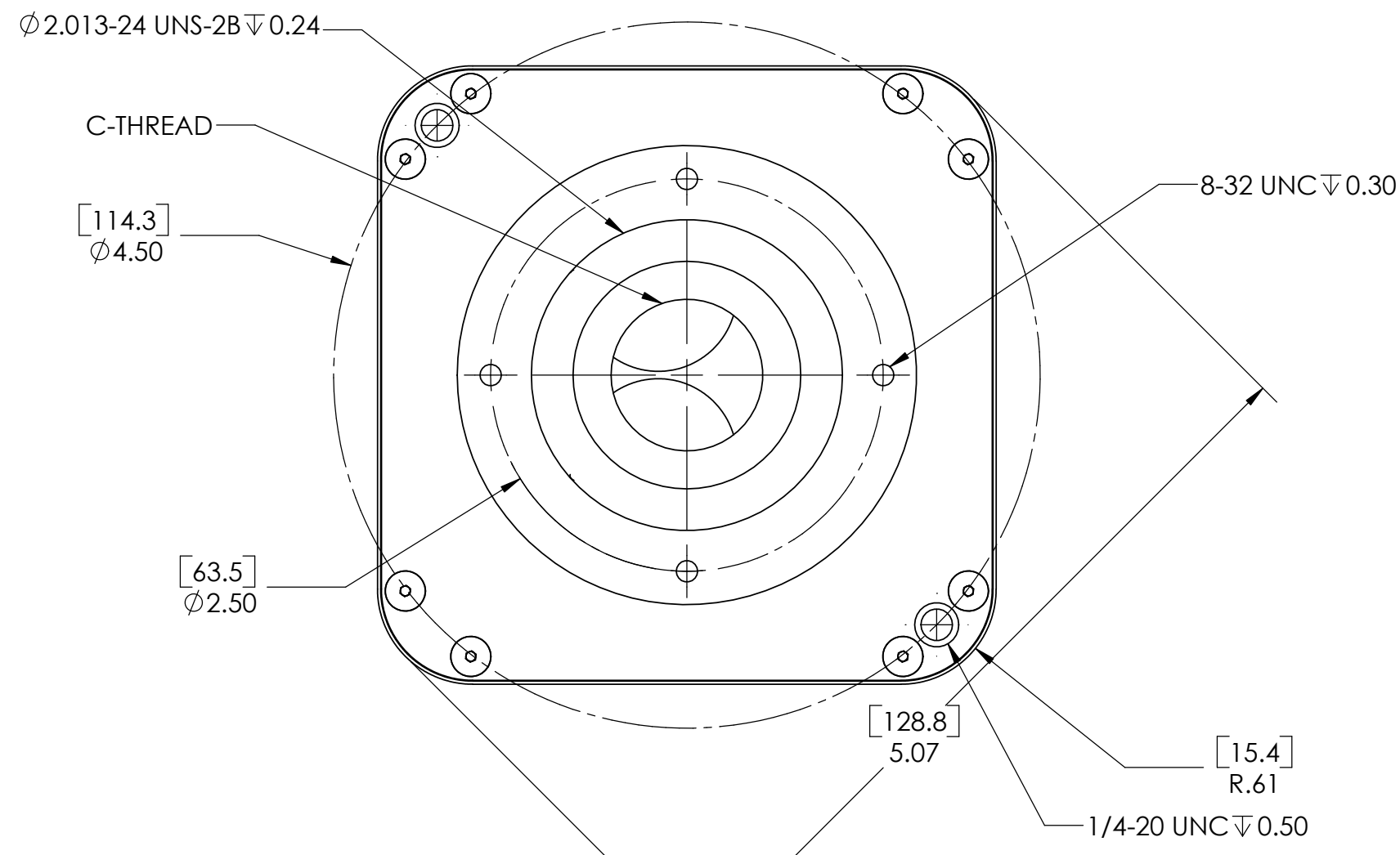
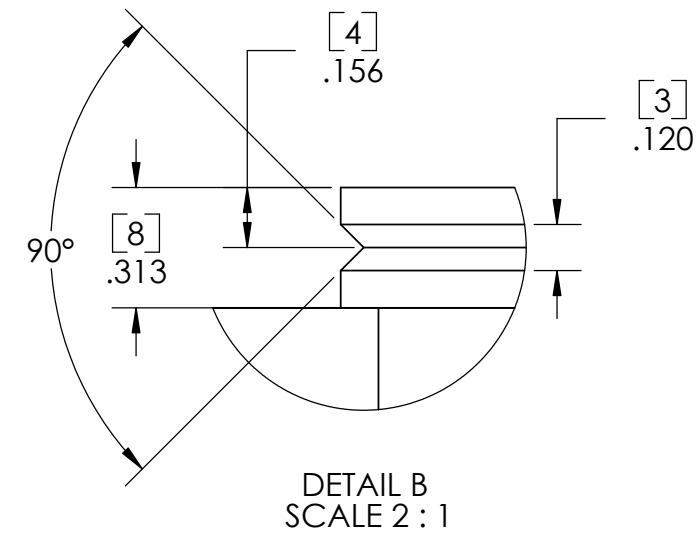


| REV | DESCRIPTION | DATE |
|-----|------------------------|-----------|
| A | Add c thread callout | 1/15/2010 |
| B | Chng to larger housing | 3/4/2010 |



| | | | | |
|--------------------------------------|--|--|-----------|--------------------|
| UNLESS OTHERWISE SPECIFIED: | | NAME | DATE | PN: |
| DIMENSIONS ARE IN INCHES | | DRAWN | REC | 05/14/06 |
| TOLERANCES: | | CHECKED | | TITLE: |
| ANGULAR: ±1° | | ENG APPR. | | ASSY_ML(X)_25MM_AC |
| TWO PLACE DECIMAL ±.01 | | MFG APPR. | | |
| THREE PLACE DECIMAL ±.003 | | | | |
| FOUR PLACE DECIMAL ±.0005 | | | | |
| INTERPRET GEOMETRIC TOLERANCING PER: | | Q.A. | | |
| MATERIAL | | PROPRIETARY AND CONFIDENTIAL | | |
| FINISH | | THE INFORMATION CONTAINED IN THIS DRAWING IS THE SOLE PROPERTY OF FINGER LAKES INSTRUMENTATION. ANY REPRODUCTION IN PART OR AS A WHOLE WITHOUT THE WRITTEN PERMISSION OF FINGER LAKES INSTRUMENTATION IS PROHIBITED. | | |
| DO NOT SCALE DRAWING | | SIZE | COMMENTS: | REV |
| | | C | | B |
| | | SCALE: 1:1 | WEIGHT: | SHEET 1 OF 1 |