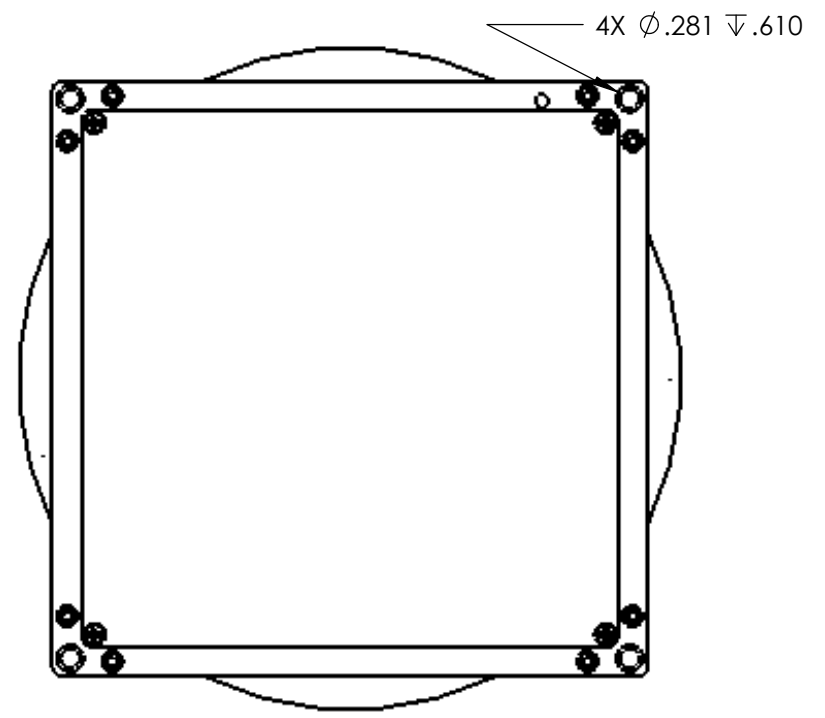
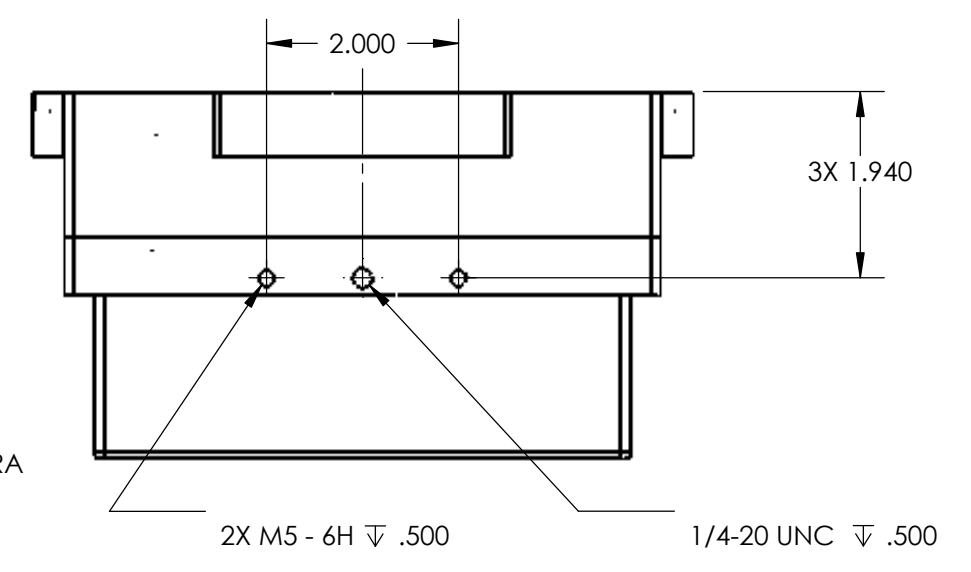
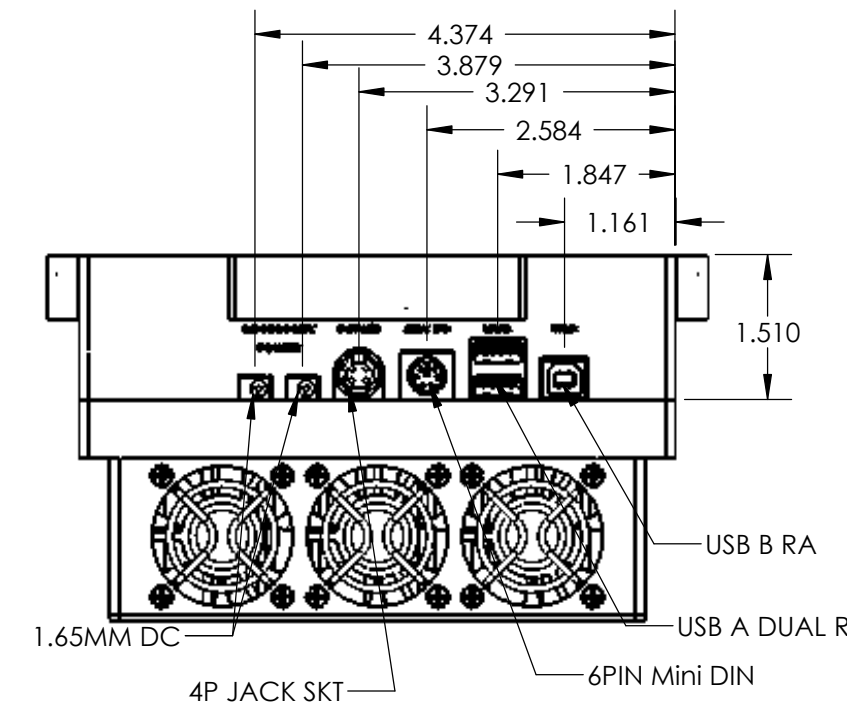
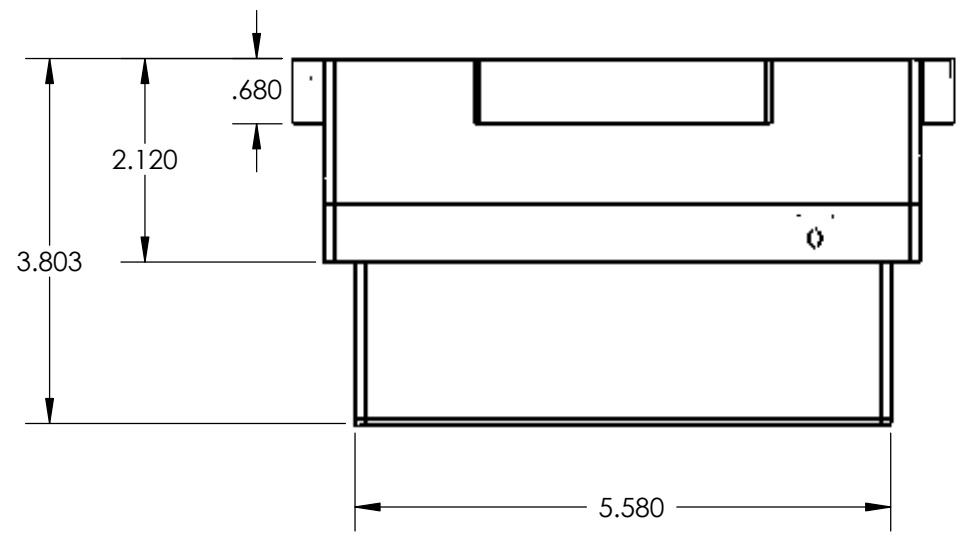
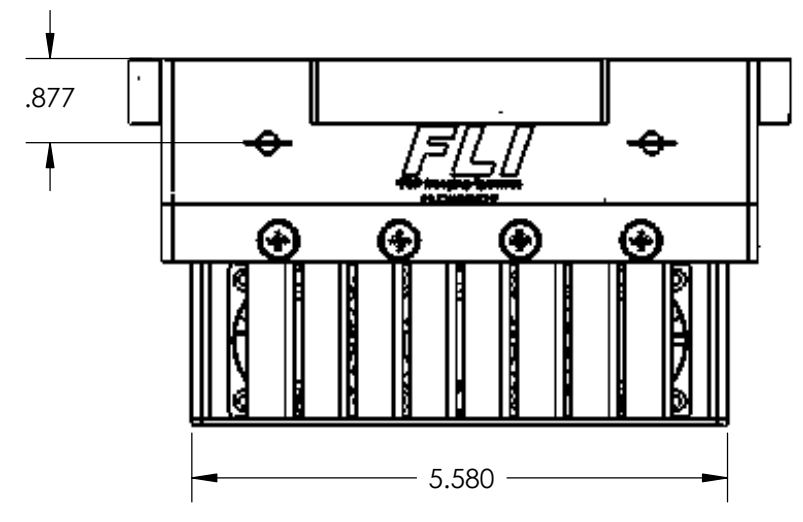
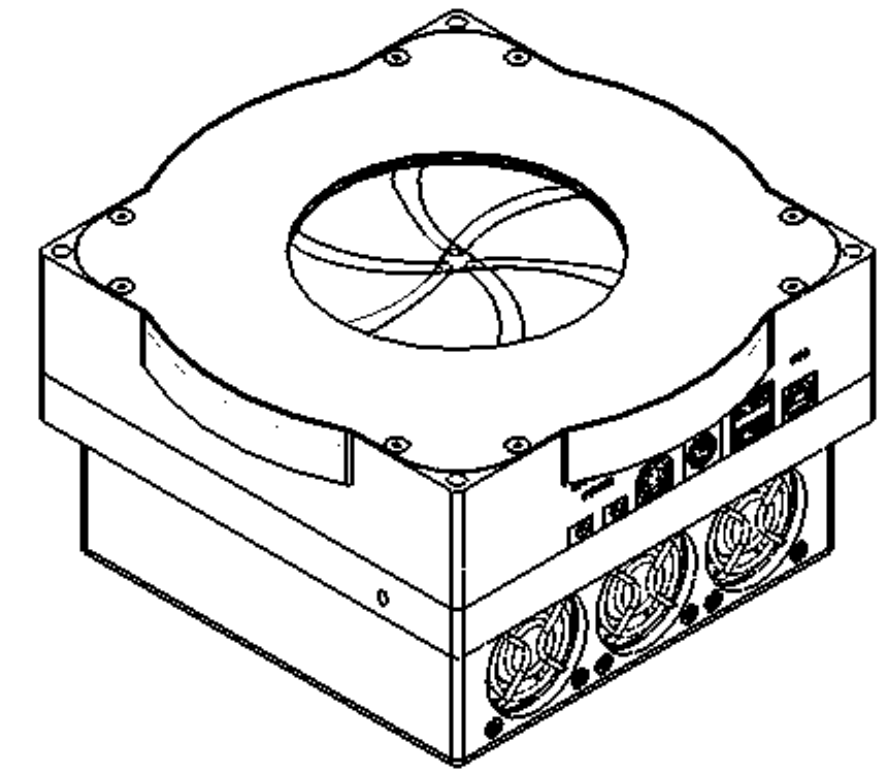
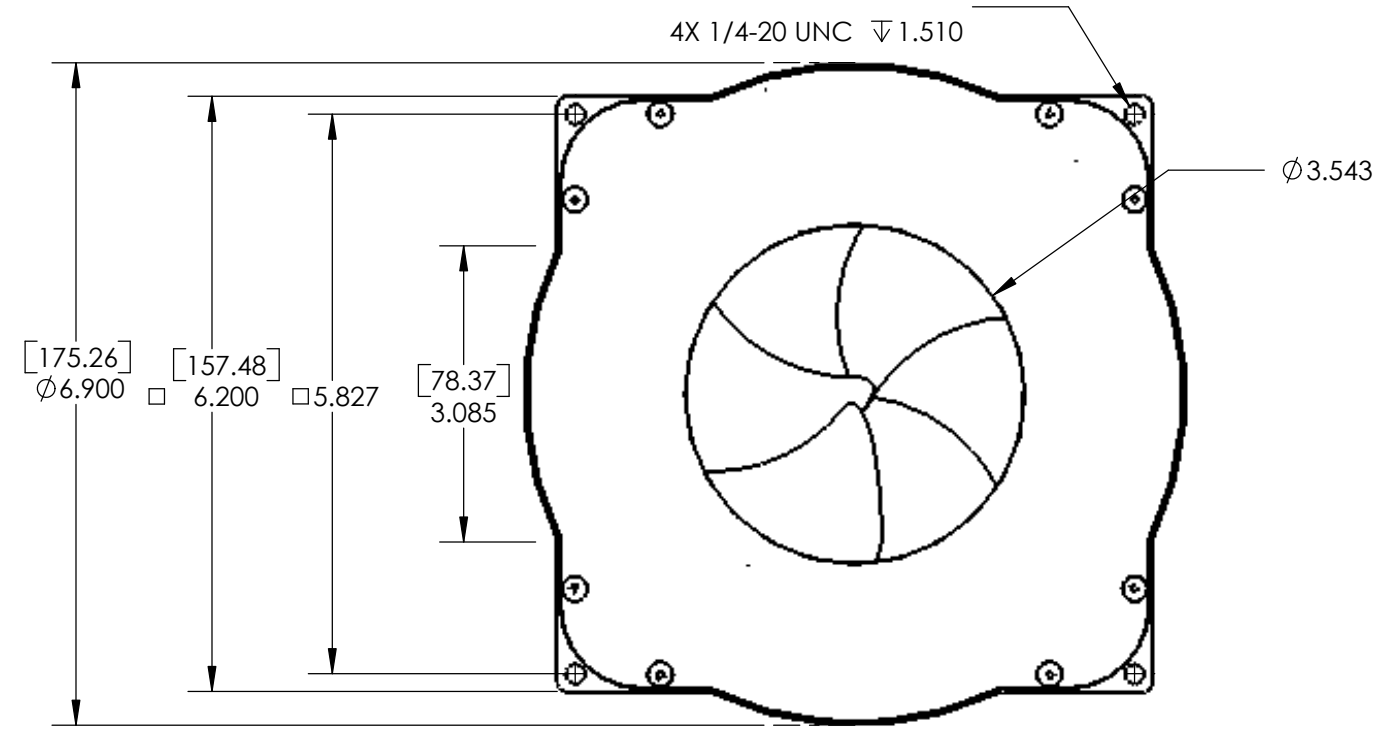


REV	DESCRIPTION	DATE
A	Add missing dim.	6/24/2008



**PROPRIETARY AND CONFIDENTIAL**  
 THE INFORMATION CONTAINED IN THIS DRAWING IS THE SOLE PROPERTY OF ANY REPRODUCTION IN PART OR AS A WHOLE WITHOUT THE WRITTEN PERMISSION OF IS PROHIBITED.

UNLESS OTHERWISE SPECIFIED:		NAME	DATE
DIMENSIONS ARE IN INCHES		DRAWN	REC 04/18/06
TOLERANCES:		CHECKED	
ANGULAR: $\pm$ 1°		ENG APPR.	
TWO PLACE DECIMAL $\pm$ .01		MFG APPR.	
THREE PLACE DECIMAL $\pm$ .003		Q.A.	
FOUR PLACE DECIMAL $\pm$ .0005		COMMENTS:	
INTERPRET GEOMETRIC TOLERANCING PER:			
MATERIAL:			
FINISH:			
NEXT ASSY	USED ON		
APPLICATION	DO NOT SCALE DRAWING		

TITLE:		
<b>Camera Assy PROLINE</b>		
SIZE	DWG. NO.	REV
<b>C</b>	ASSY PL 90MM	<b>A</b>
SCALE: 1:2	WEIGHT:	SHEET 1 OF 1