

MicroLine CCD Camera

ML23042

The MicroLine ML23042 offers an outstanding combination of high quantum efficiency, large dynamic range, deep full well capacity, excellent cooling and large imaging area.

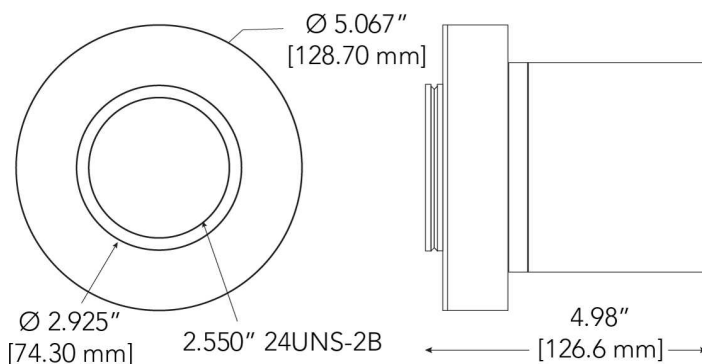
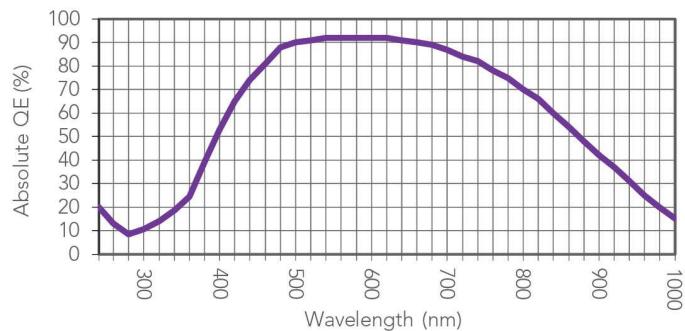
Technical Data

Sensor Type	Back illuminated CCD
Sensor	e2v CCD230-42
Active Pixels	2048 x 2048
Pixel Size (microns)	15 x 15 μm
Imaging Area (Diagonal)	30.7 X 30.7 mm (43.4 mm)
Full Well Capacity	150000 electrons
(e-) Typical_Readout Noise	16e at 750 kHz; 24e at 2 MHz
Typical Gain	1.85e-/ADU
Dynamic Range	79.1 dB
Anti-Blooming	None
Cooling Method	Air (Optional liquid)
Max. Cooling (Air)	50°C below ambient
Temperature Stability	0.1°C
Dark Current (typical)	0.2 eps at -30C
Interface	USB 2.0
Digitization Clock	750 kHz & 2 MHz
Data Bit Depth	16 bit
Non-Linearity	<1%
Channels	1; optional 2 or 4
Shutter	65 mm
Lens Mount	Optional Nikon F-mount or Canon EOS
Subarray Readout	Standard
External Trigger In/Out	Standard
SDK / Software	USB2 / FLIGrab
Weight	4.5 lbs (2 kg)
Environment	-30°C to 45°C 10% - 90% Relative Humidity

12V (100-240V AC to 12V DC power supply included). With TEC off: <1A. TEC at 100%: 4.4A. Shutter open: 4A pulse for 100msec. Shutter held open, add 0.22A.



Absolute Quantum Efficiency



See www.flicamera.com for alternate configurations



★ MADE IN USA ★

Finger Lakes Instrumentation
www.flicamera.com
USA 585-624-3760