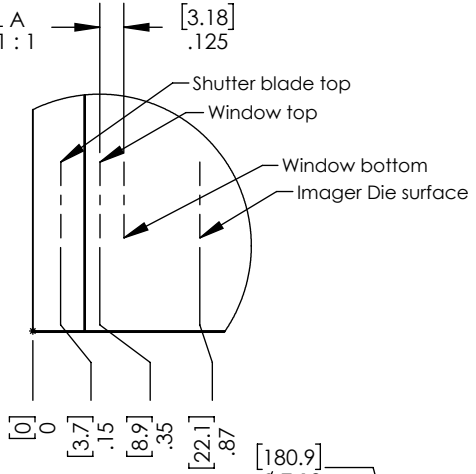
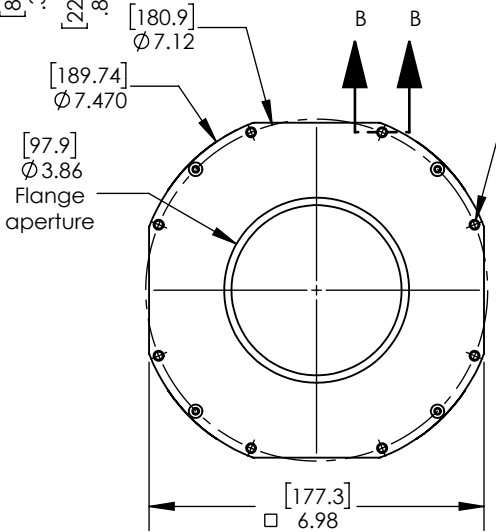
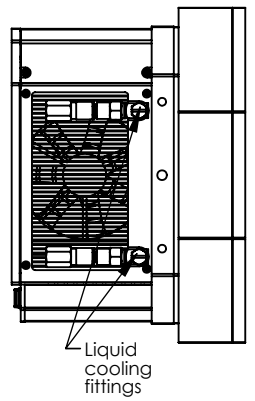
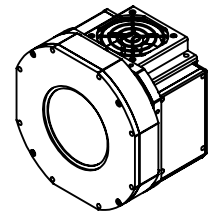
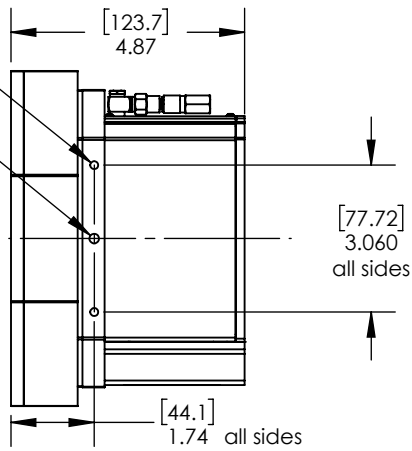


REV.	DESCRIPTION	DATE
A	Release	9/17/2019

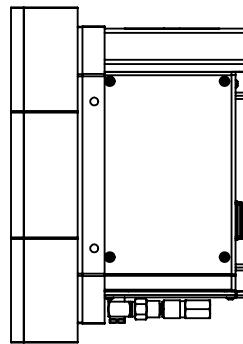
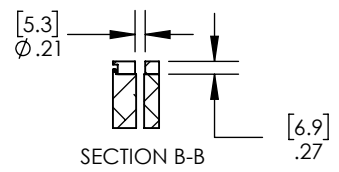
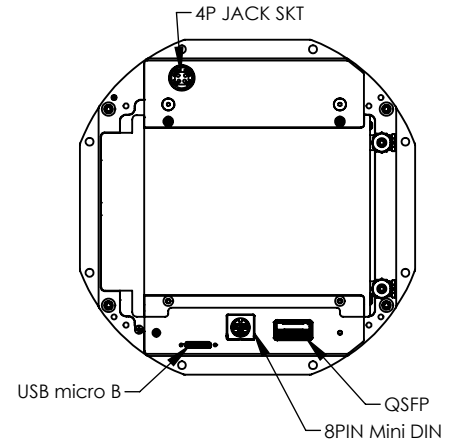
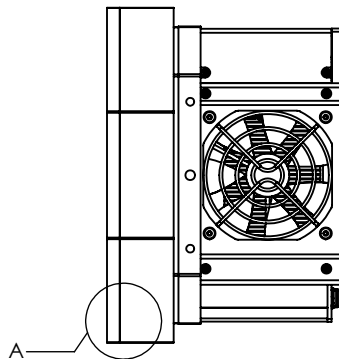
DETAIL A
SCALE 1:1



8X M5X0.8 - 6H
▽ .25 [6.4]
3X 1/4-20 UNC
▽ .35 [8.9]



8X
M5X0.8 - 6H
THRU ALL



- NOTES:
- All dimensions are physical.
 - For optical distances:
 - Subtract 1mm for sealing window.
 - Subtract 0.3mm for CCD cover slip if present
 - Unless otherwise noted all dimensions are symmetrical about centerline.

X06060 9NA



PROPRIETARY AND CONFIDENTIAL:
THE INFORMATION CONTAINED IN THIS
DRAWING IS THE SOLE PROPERTY OF
FINGER LAKES INSTRUMENTATION.
ANY REPRODUCTION IN PART OR AS
A WHOLE WITHOUT THE WRITTEN
PERMISSION OF
FINGER LAKES INSTRUMENTATION
IS PROHIBITED.

NAME	DATE	SIZE	A	Unless otherwise specified dimensions are in inches TOLERANCES: X.XX ±.01 X.XXX ±.003 X.XXXX ±.0005	MATERIAL:
DRAWN	REC	09/17/19			
ENG.			REV		
QUALITY					
PROD.					
DO NOT SCALE DRAWING			SCALE: 1:4	INTERPRET GEOMETRIC TOLERANCING PER: ASME Y14.5	SHEET 1 OF 1