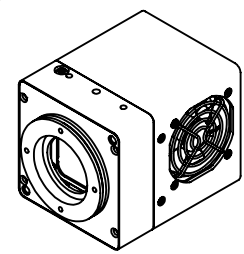
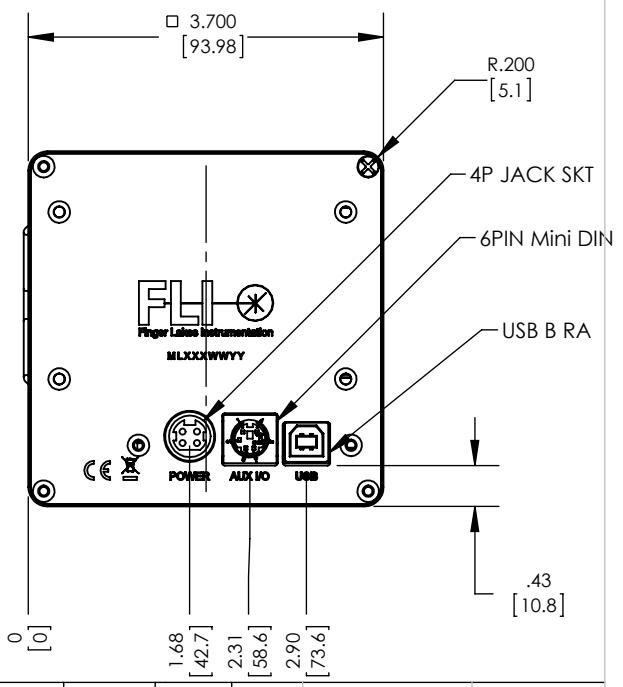
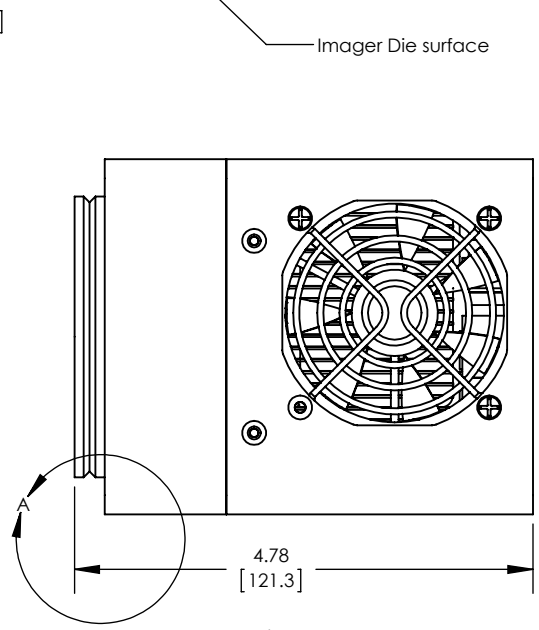
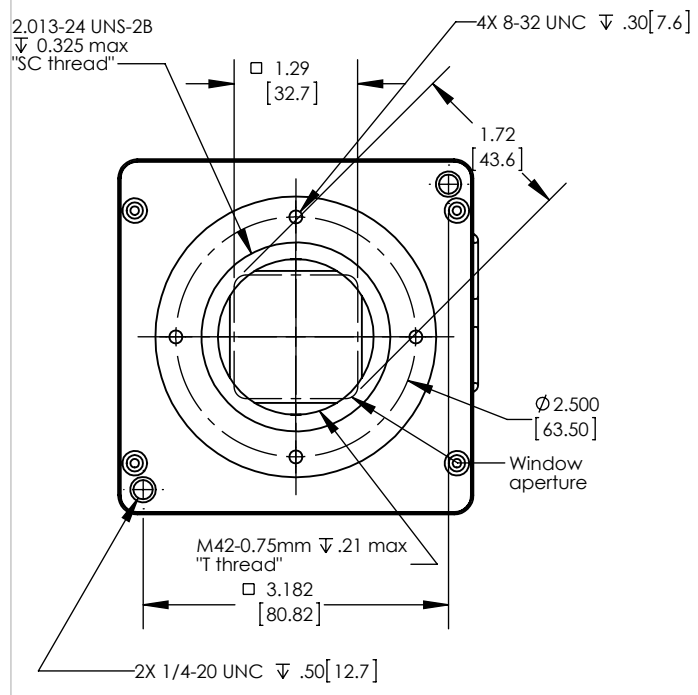
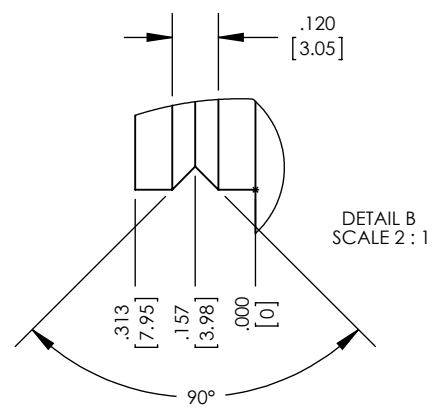
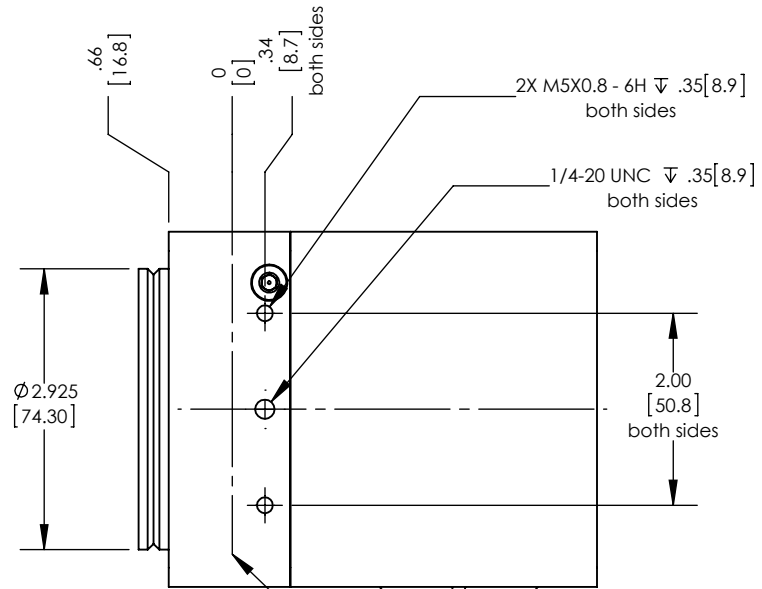
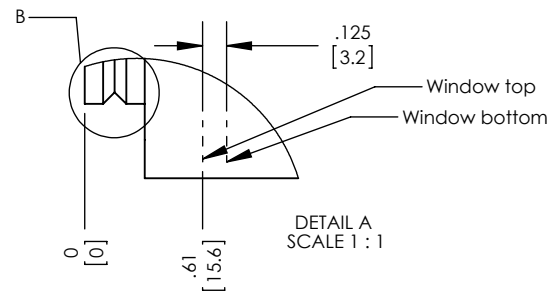


REV.	DESCRIPTION	DATE
E	Standardize ML side mounts(L15-006)	10/14/2015



NOTES:
 1. All dimensions are physical.
 A. For optical distances:
 1. Subtract 1mm for sealing window.
 2. Subtract 0.3mm for CCD cover slip if present
 2. Unless otherwise noted all dimensions are symmetrical about centerline.

M -NV -A N-UN -			NAME	DATE	Unless otherwise specified dimensions are in inches TOLERANCES: ∠ : ±1° X.XX ±.01 X.XXX ±.003 X.XXXX ±.0005	SIZE
PROPRIETARY AND CONFIDENTIAL: THE INFORMATION CONTAINED IN THIS DRAWING IS THE SOLE PROPERTY OF FINGER LAKES INSTRUMENTATION. ANY REPRODUCTION IN PART OR AS A WHOLE WITHOUT THE WRITTEN PERMISSION OF FINGER LAKES INSTRUMENTATION IS PROHIBITED.	DRAWN	REC		08/11/15		
	ENG.					WT:
	QUALITY					REV
	PROD.				INTERPRET GEOMETRIC TOLERANCING PER: ASME Y14.5	E
	DO NOT SCALE DRAWING					SCALE: 1:2
						SHEET 1 OF 1