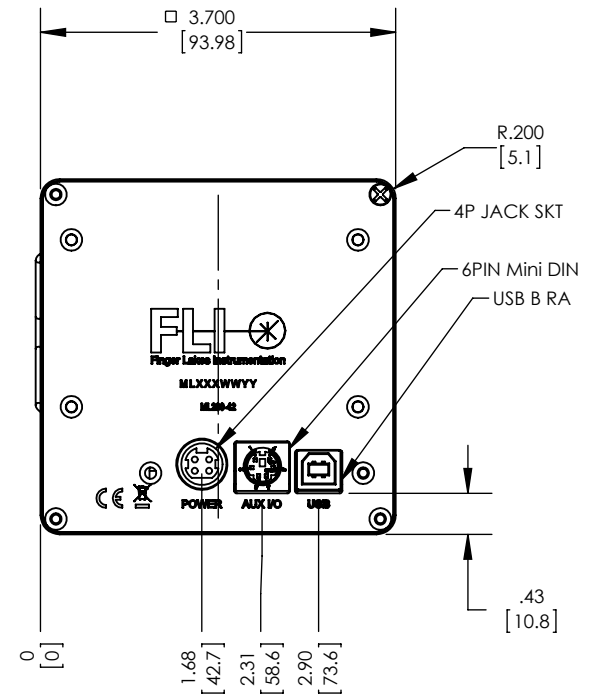
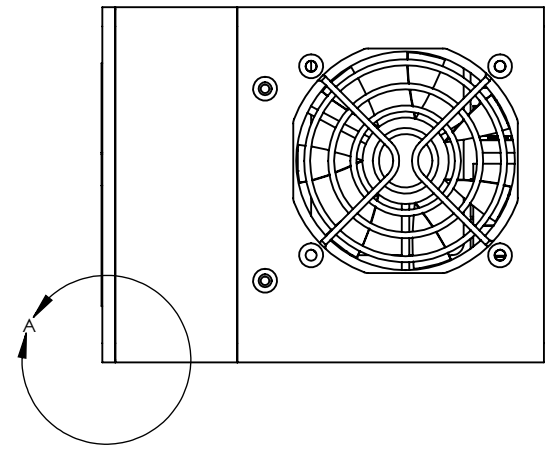
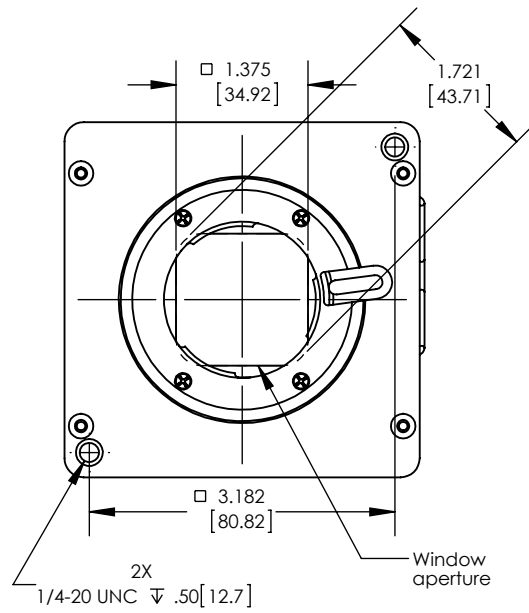
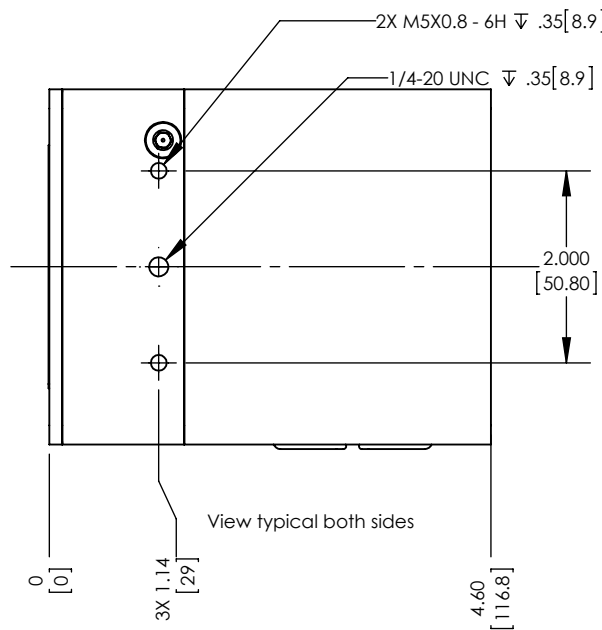
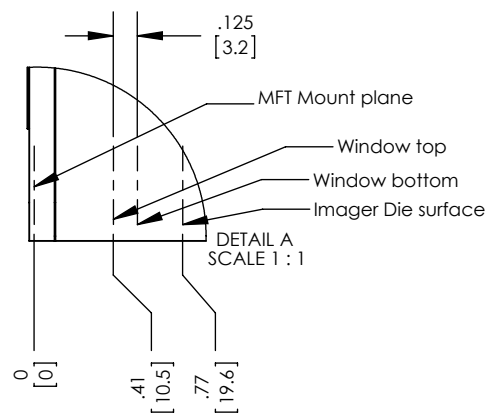


REV.	DESCRIPTION	DATE
A	Release	12/1/12



NOTES:
 1. All dimensions are physical.
 A. For optical distances:
 1. Subtract 1mm for sealing window.
 2. Subtract 0.3mm for CCD cover slip if present
 2. Unless otherwise noted all dimensions are symmetrical about centerline.

MN4A-		NAME	DATE	Unless otherwise specified dimensions are in inches TOLERANCES: $\angle : \pm 1^\circ$ X.XX ±.01 X.XXX ±.003 X.XXXX ±.0005 INTERPRET GEOMETRIC TOLERANCING PER: ASME Y14.5	SIZE
PROPRIETARY AND CONFIDENTIAL: THE INFORMATION CONTAINED IN THIS DRAWING IS THE SOLE PROPERTY OF FINGER LAKES INSTRUMENTATION. ANY REPRODUCTION IN PART OR AS A WHOLE WITHOUT THE WRITTEN PERMISSION OF FINGER LAKES INSTRUMENTATION IS PROHIBITED.	DO NOT SCALE DRAWING	REC	08/11/15		A
DRAWN		REC		WT:	
ENG.				REV	
QUALITY				A	
PROD.				SCALE: 1:2	
				SHEET 1 OF 1	