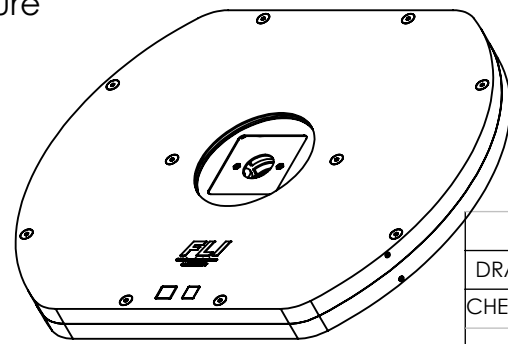
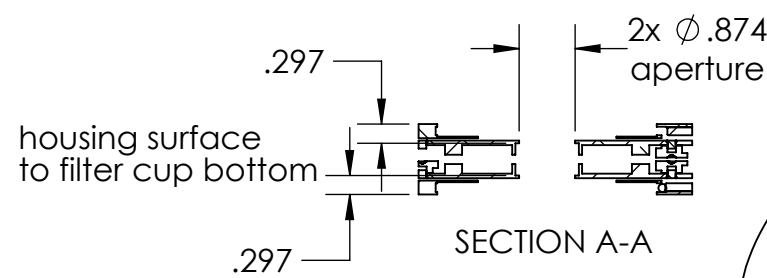
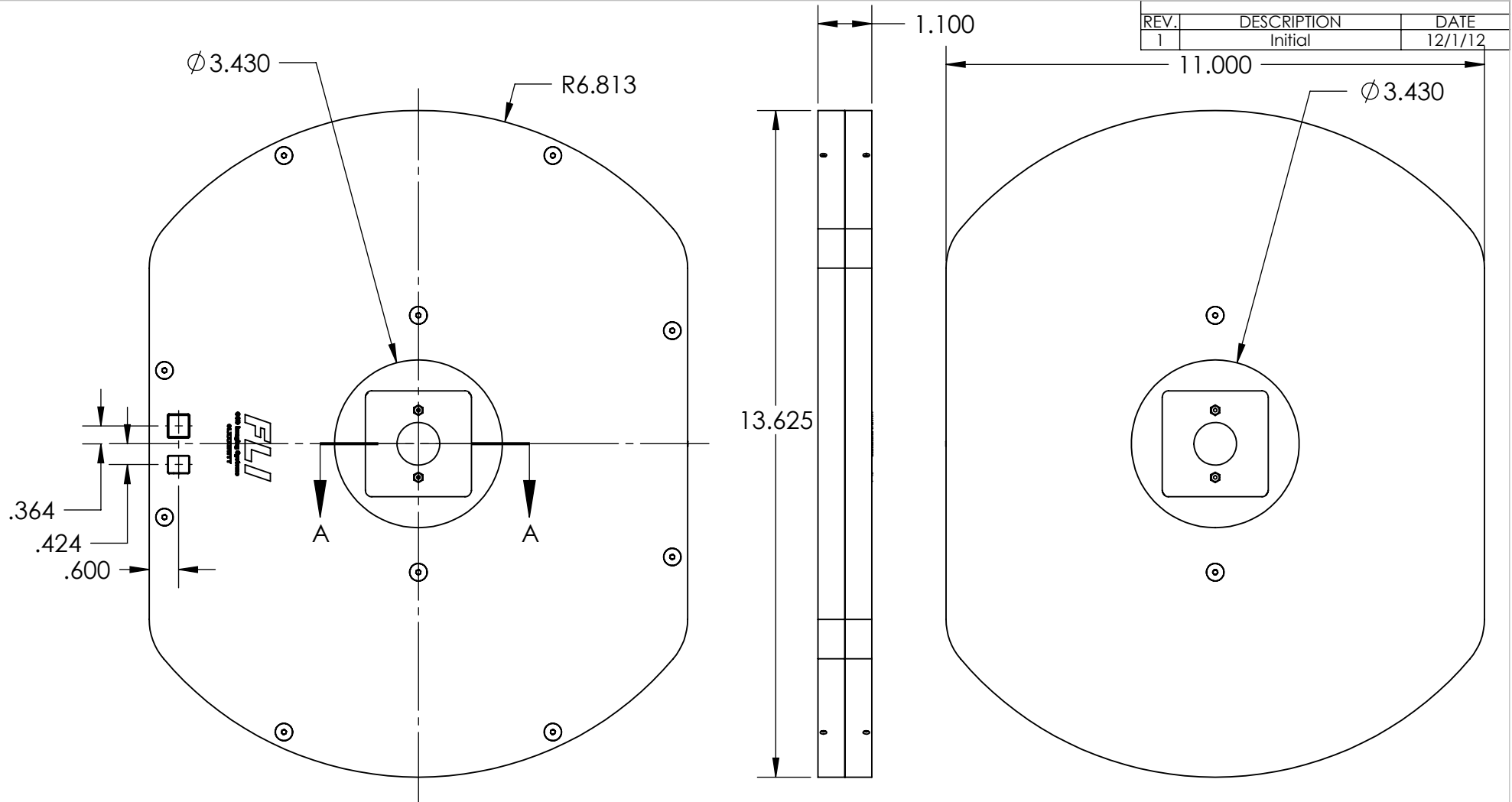


REV.	DESCRIPTION	DATE
1	Initial	12/1/12



CL1-20_WEB

PROPRIETARY AND CONFIDENTIAL:
 THE INFORMATION CONTAINED IN THIS DRAWING IS THE SOLE
 PROPERTY OF FINGER LAKES INSTRUMENTATION. ANY
 REPRODUCTION IN PART OR AS AWHOLE WITHOUT THE WRITTEN
 PERMISSION OF FINGER LAKES INSTRUMENTATION
 IS PROHIBITED.

	NAME	DATE	SIZE	A	UNLESS OTHERWISE SPECIFIED: DIMENSIONS ARE IN INCHES TOLERANCES: ANGULAR: \pm 1° TWO PLACE DECIMAL \pm .01 THREE PLACE DECIMAL \pm .003 FOUR PLACE DECIMAL \pm .0005	REV	1
DRAWN	REC	12/1/12	MATERIAL:			FINISH:	
CHECKED			NA			NA	
DO NOT SCALE DRAWING			SCALE: 1:3	WEIGHT: 4.461	SHEET 1 OF 1		