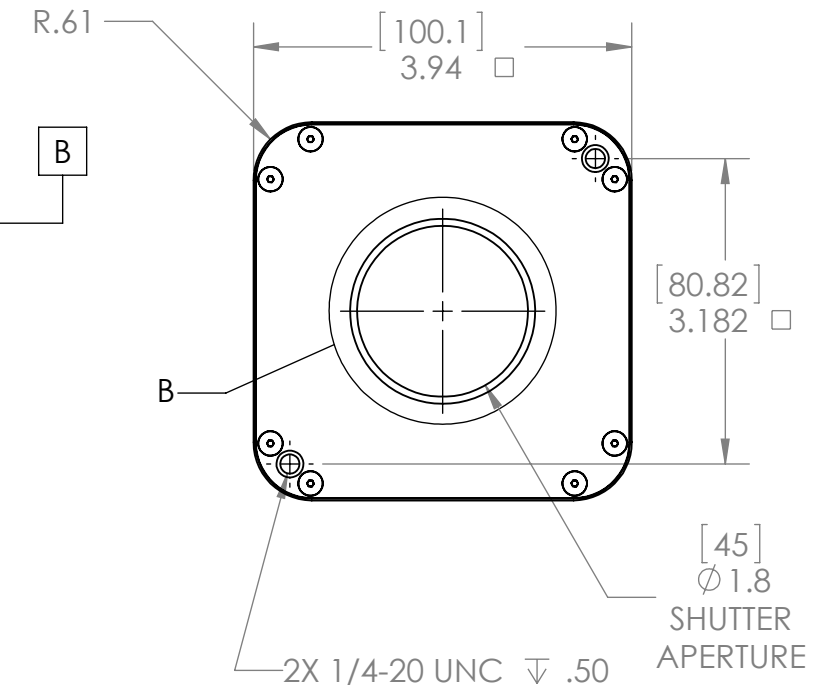
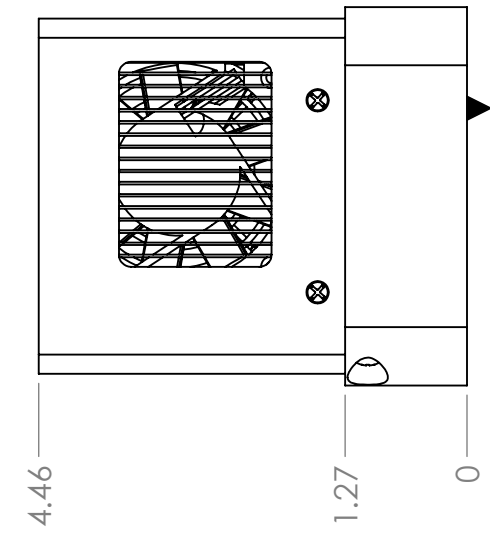
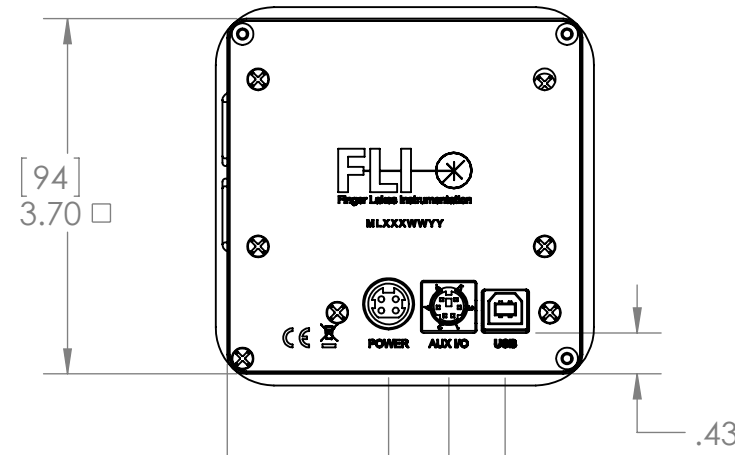
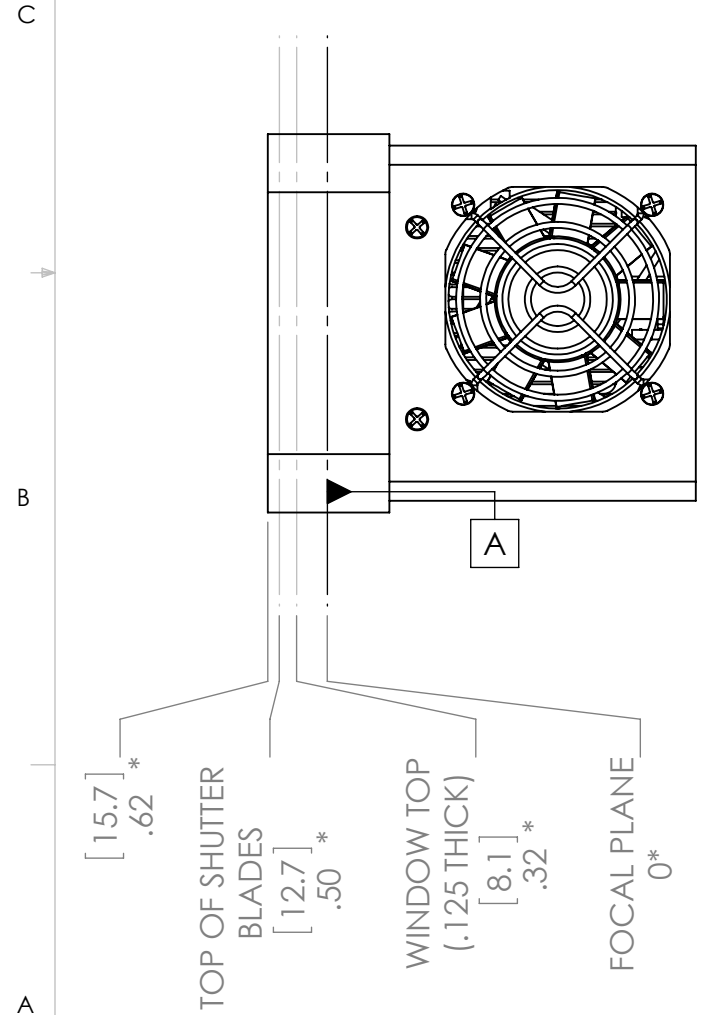
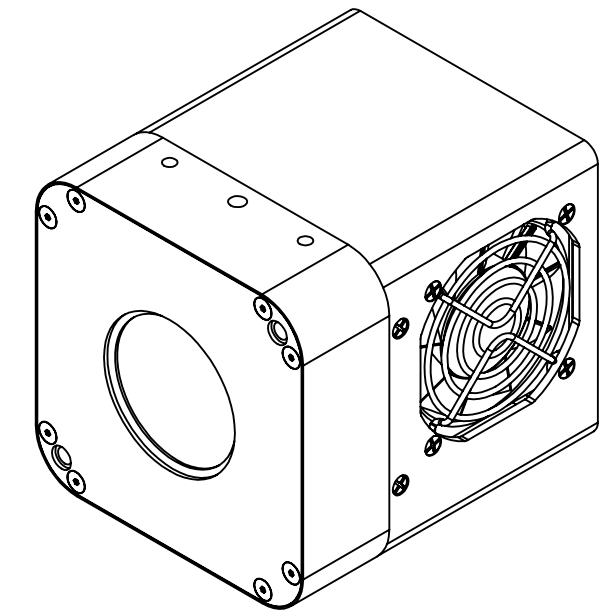
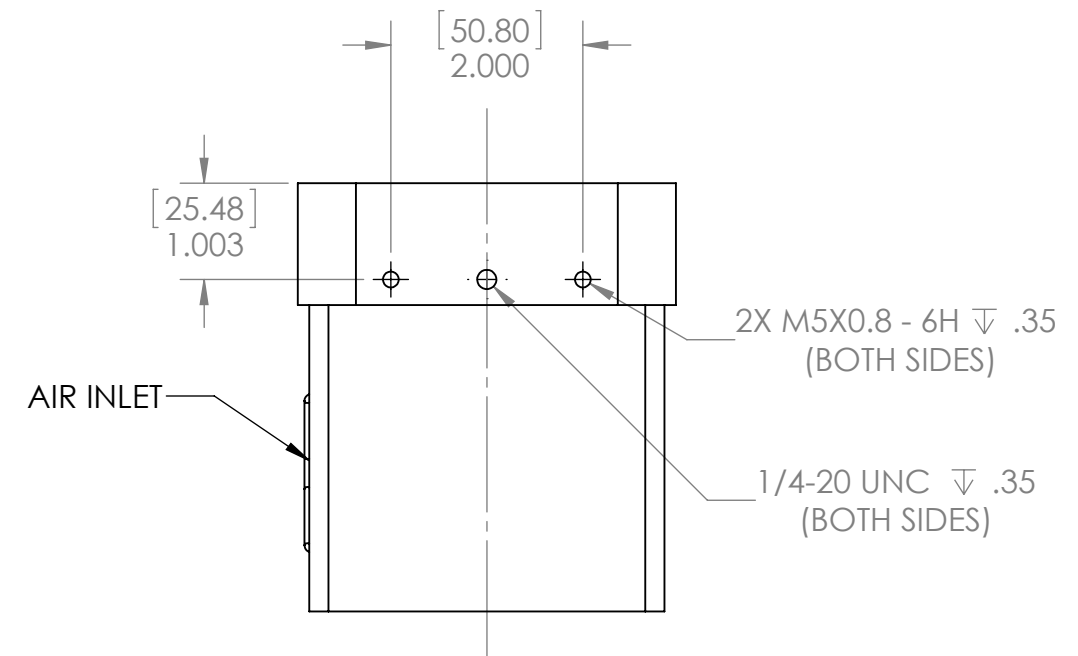
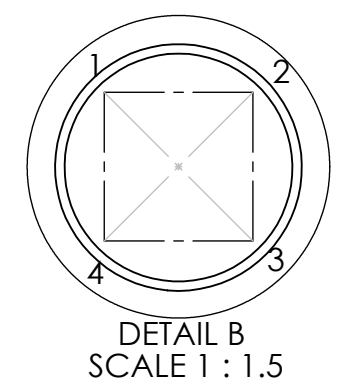



REV.	DESCRIPTION	DATE
A	RELEASE	4/9/14



**IMAGE ORIENTATION REFERENCE



NOTES:
 1. * - Optical distance
 2. **PIN 1 OF SENSOR IS NOT NECESSARILY IN CORNER 1 LOCATION OF REFERENCE, CONTACT FLI FOR SENSOR ORIENTATION
 3. IMAGER NOMINALLY CENTERED TO APERTURE

		ML_45MM_AC_FLAT_FRONT,AS10172	
PROPRIETARY AND CONFIDENTIAL: THE INFORMATION CONTAINED IN THIS DRAWING IS THE SOLE PROPERTY OF FINGER LAKES INSTRUMENTATION. ANY REPRODUCTION IN PART OR AS A WHOLE WITHOUT THE WRITTEN PERMISSION OF FINGER LAKES INSTRUMENTATION IS PROHIBITED.	MATERIAL FINISH		REV A
DRAWN: CC ENG APPR.: RC MFG APPR.: GT Q.A.: LS	NAME: CC DATE: 4/9/14	SIZE: B Unless otherwise noted specified dimensions are in inches	TOLERANCES: .XXX ±.01 X.XXX ±.003 X.XXXX ±.0005
DO NOT SCALE DRAWING		SCALE: 1:2	WEIGHT: SHEET 1 OF 1