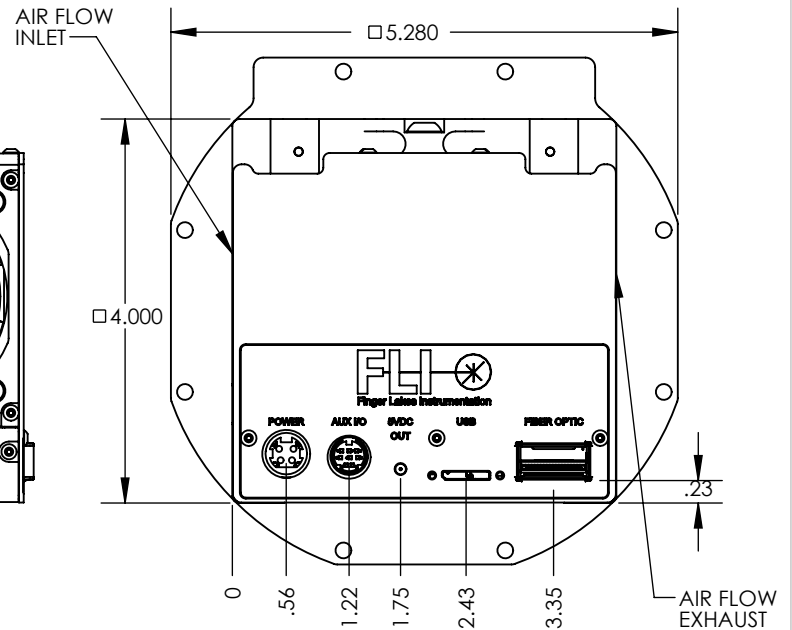
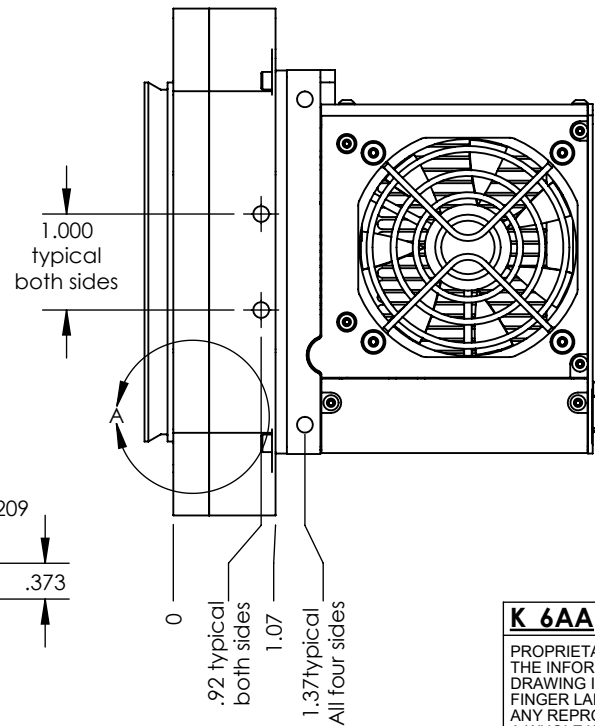
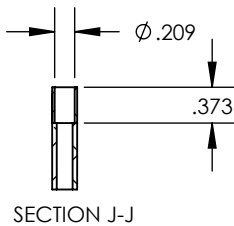
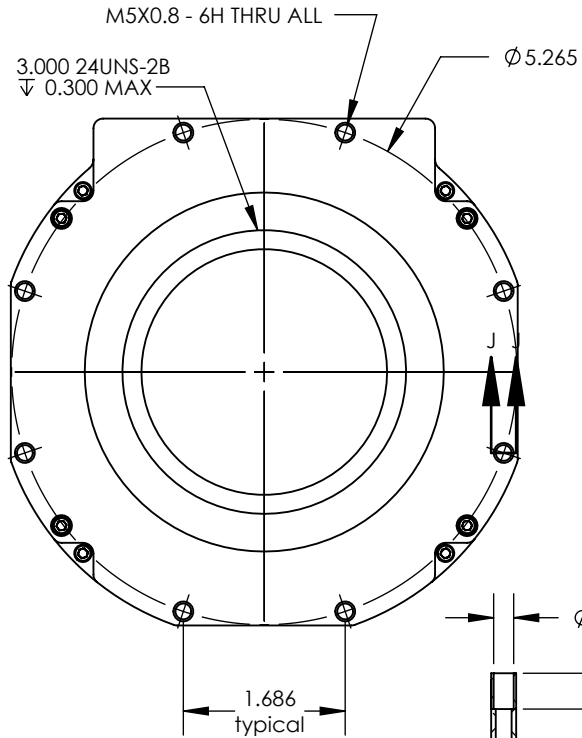
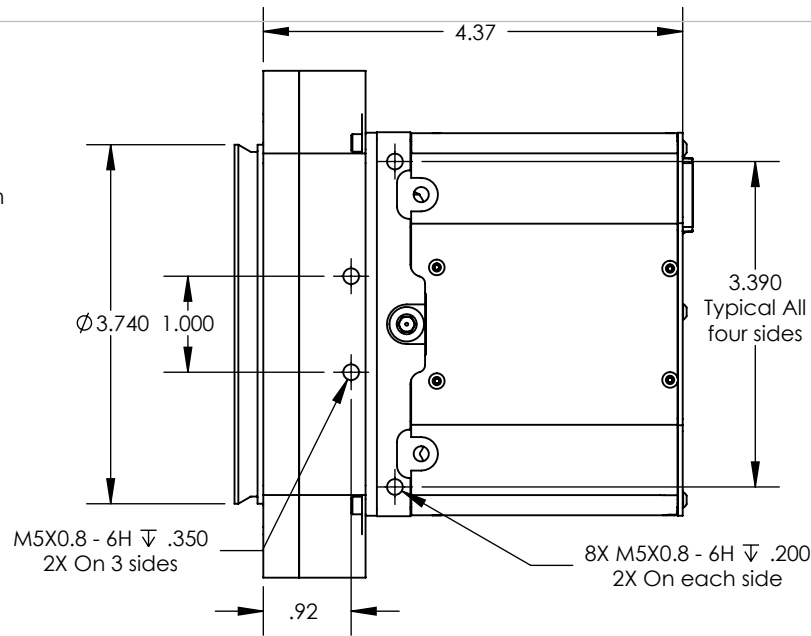
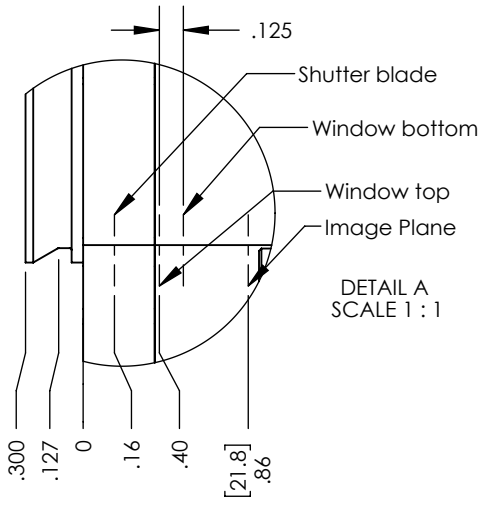


REV.	DESCRIPTION	DATE
A	RELEASE	4/10/2018



- NOTES:
- All dimensions are physical.
A. For optical distances:
1. Subtract 1mm for sealing window.
2. Subtract 0.3mm for sensor cover slip if present
 - Unless otherwise noted all dimensions are symmetrical about centerline.

K 6AA

PROPRIETARY AND CONFIDENTIAL: THE INFORMATION CONTAINED IN THIS DRAWING IS THE SOLE PROPERTY OF FINGER LAKES INSTRUMENTATION. ANY REPRODUCTION IN PART OR AS A WHOLE WITHOUT THE WRITTEN PERMISSION OF FINGER LAKES INSTRUMENTATION IS PROHIBITED.

NAME	DATE	SIZE
DRAWN REC	3/25/17	A
ENG.		WT: 2.86
QUALITY		REV A
PROD.		SCALE: 1:2
DO NOT SCALE DRAWING		SHEET 1 OF 1

Unless otherwise specified dimensions are in inches
TOLERANCES:
 / ±1°
 X.XX ±.01
 X.XXX ±.003
 X.XXXX ±.0005
 INTERPRET GEOMETRIC TOLERANCING PER: ASME Y14.5