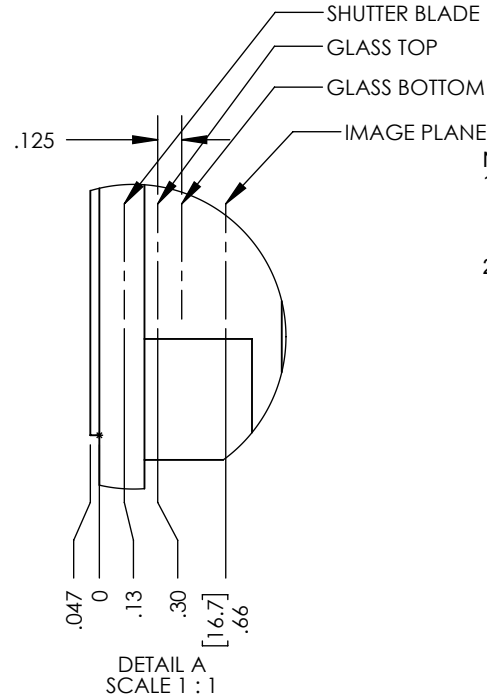
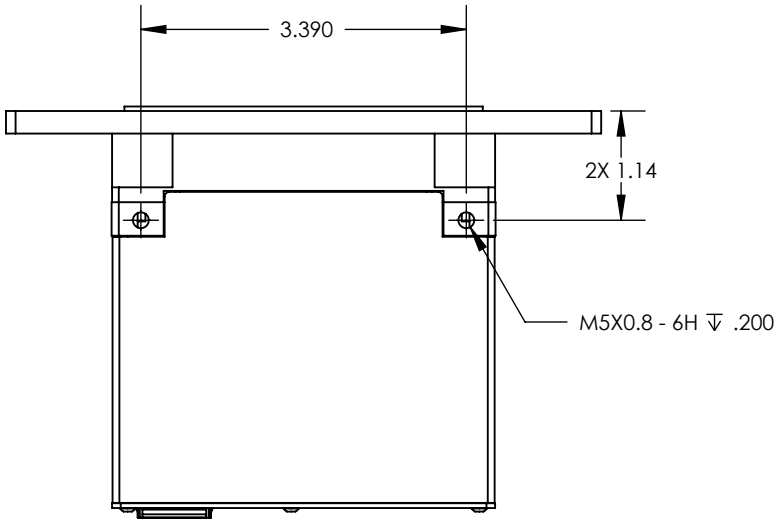
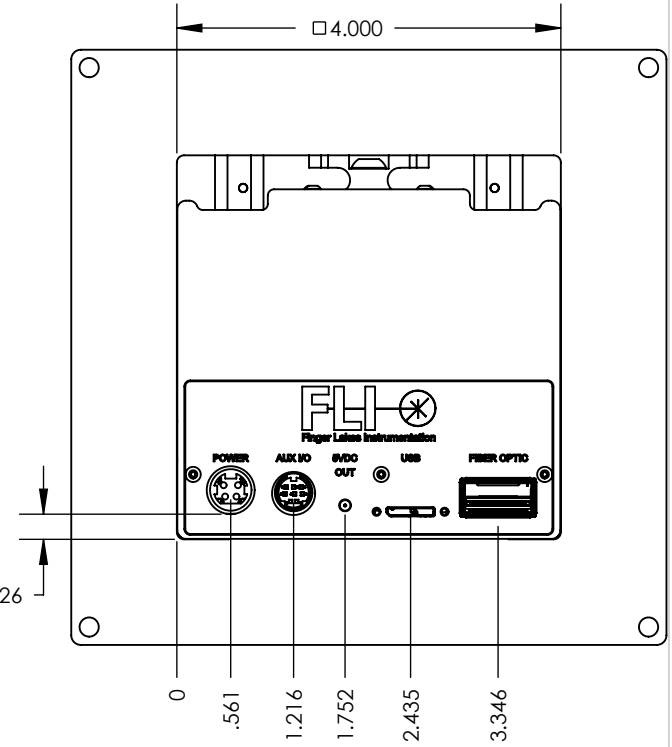
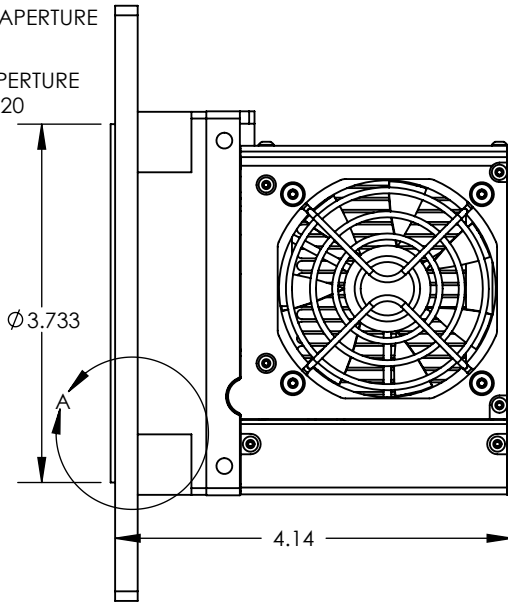
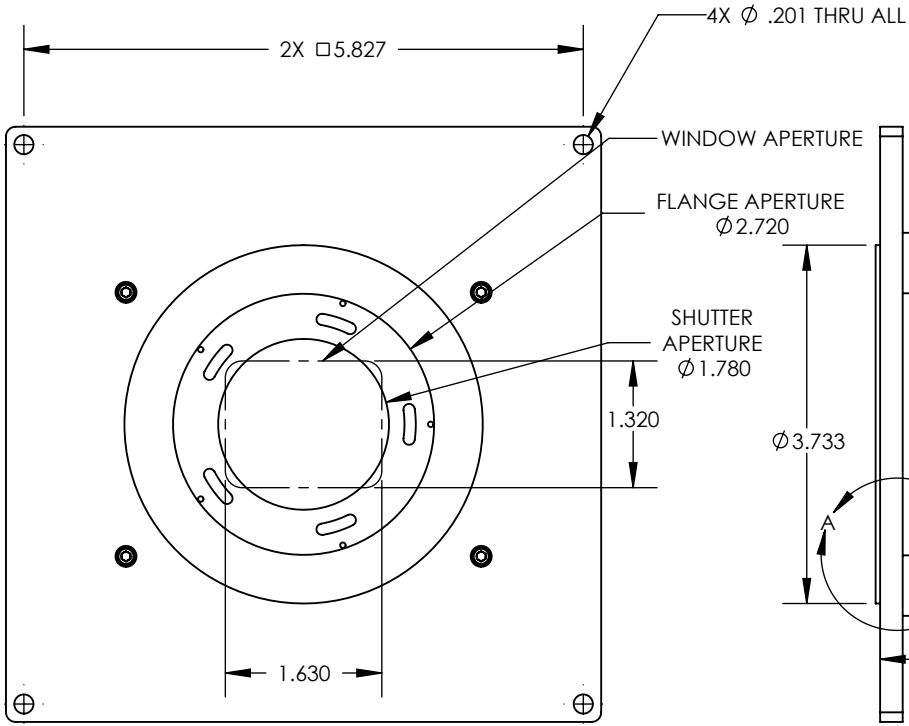


REV.	DESCRIPTION	DATE
A	RELEASE	4/10/2018



- NOTES:
- All dimensions are physical.
    - For optical distances:
      - Subtract 1mm for sealing window.
      - Subtract 0.3mm for CCD cover slip if present
  - Unless otherwise noted all dimensions are symmetrical about centerline.

K\_4FA

PROPRIETARY AND CONFIDENTIAL:  
THE INFORMATION CONTAINED IN THIS DRAWING IS THE SOLE PROPERTY OF FINGER LAKES INSTRUMENTATION. ANY REPRODUCTION IN PART OR AS A WHOLE WITHOUT THE WRITTEN PERMISSION OF FINGER LAKES INSTRUMENTATION IS PROHIBITED.

	NAME	DATE	SIZE	A	Unless otherwise specified dimensions are in inches TOLERANCES: <math>\leq \pm 1^\circ</math> X.XX ±.01 X.XXX ±.003 X.XXXX ±.0005	MATERIAL:  FINISH:
DRAWN	REC	8/28/17				
ENG.			WT: 3.01			
QUALITY			REV			
PROD.				A	INTERPRET GEOMETRIC TOLERANCING PER: ASME Y14.5	
DO NOT SCALE DRAWING				SCALE: 1:2		SHEET 1 OF 1