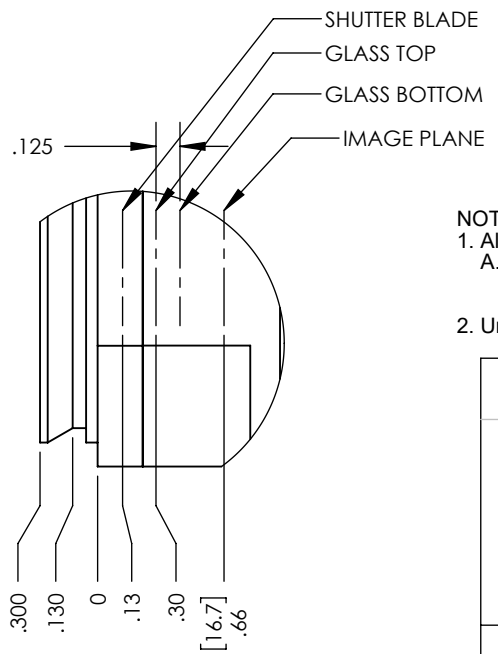


VIEW TYPICAL ALL FOUR SIDES



DETAIL A
SCALE 1 : 1

- NOTES:
- All dimensions are physical.
 - A. For optical distances:
 - Subtract 1mm for sealing window.
 - Subtract 0.3mm for CCD cover slip if present
 - Unless otherwise noted all dimensions are symmetrical about centerline.

K_4AA



PROPRIETARY AND CONFIDENTIAL:
THE INFORMATION CONTAINED IN THIS
DRAWING IS THE SOLE PROPERTY OF
FINGER LAKES INSTRUMENTATION.
ANY REPRODUCTION IN PART OR AS
A WHOLE WITHOUT THE WRITTEN
PERMISSION OF
FINGER LAKES INSTRUMENTATION
IS PROHIBITED.

	NAME	DATE	SIZE	A	Unless otherwise specified dimensions are in inches TOLERANCES: $\leq .1$ X.XX ±.01 X.XXX ±.003 X.XXXX ±.0005	MATERIAL:
DRAWN	REC	8/28/17	WT: 2.57			
ENG.			REV	A	INTERPRET GEOMETRIC TOLERANCING PER: ASME Y14.5	FINISH:
QUALITY						
PROD.						
DO NOT SCALE DRAWING			SCALE: 1:2			SHEET 1 OF 1