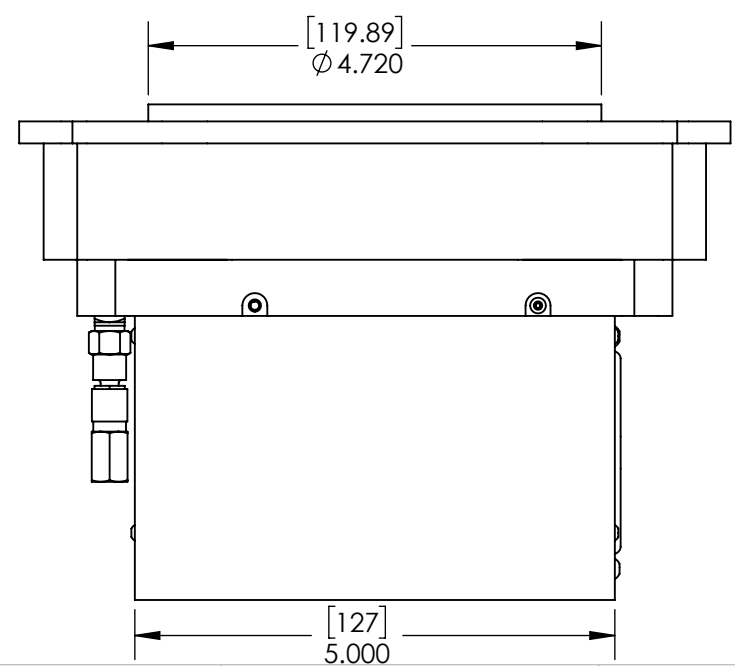
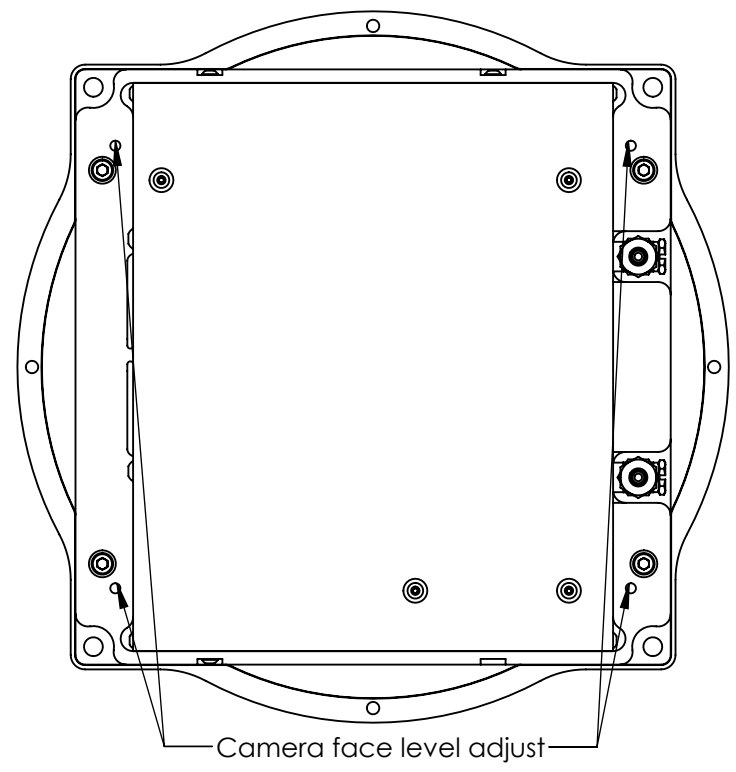
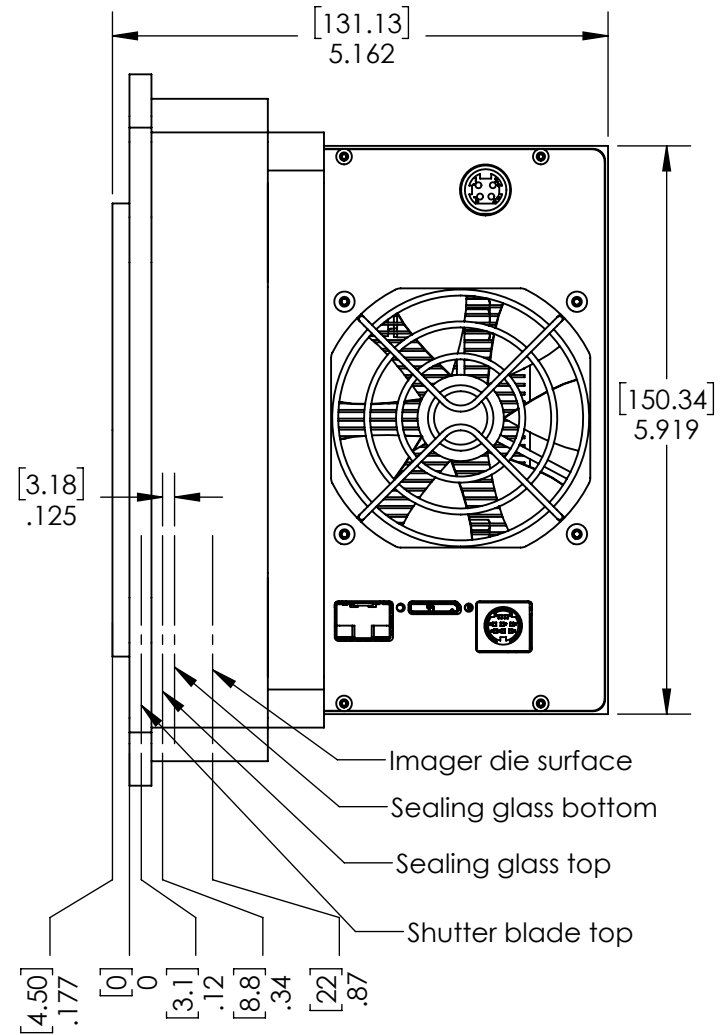
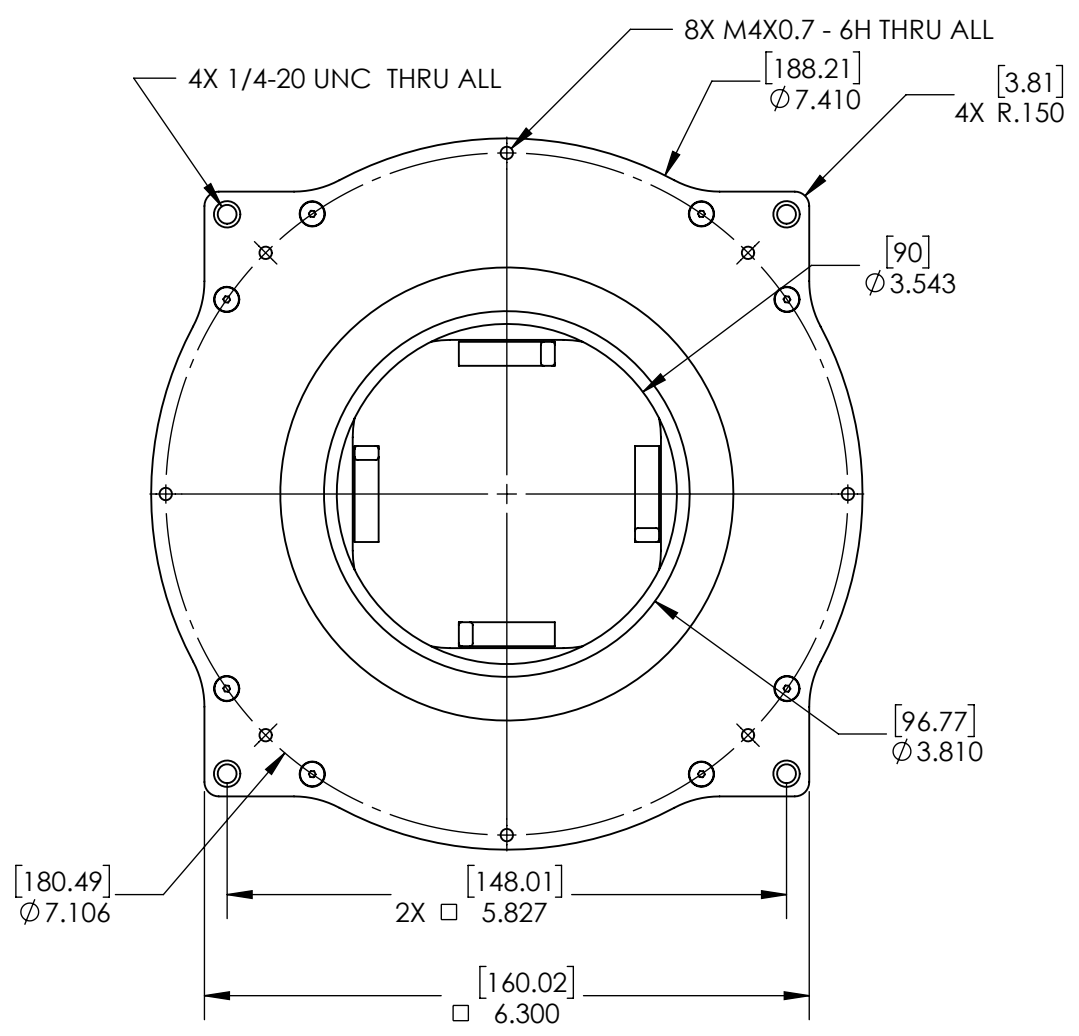


REV.	DESCRIPTION	DATE
A	Release	04/07/15
B	Change to microB, add QSFP	12/01/18
C	Add LC fittings	3/8/2019



		D_-9KA-	
PROPRIETARY AND CONFIDENTIAL: THE INFORMATION CONTAINED IN THIS DRAWING IS THE SOLE PROPERTY OF FINGER LAKES INSTRUMENTATION. ANY REPRODUCTION IN PART OR AS A WHOLE WITHOUT THE WRITTEN PERMISSION OF FINGER LAKES INSTRUMENTATION IS PROHIBITED.		MATERIAL Assembly	
DRAWN REC	NAME REC	DATE 02/06/15	FINISH NA
ENG APPR. MFG APPR. Q.A.	SIZE B Unless otherwise noted specified dimensions are in inches		REV C
INTERPRET GEOMETRIC TOLERANCING PER: ASME Y14.5		TOLERANCES: .XXX ±.01 X.XXX ±.003 X.XXXX ±.0005	SCALE: 1:2 WEIGHT: 9.502 SHEET 1 OF 1
DO NOT SCALE DRAWING			