

# MicroLine CCD Camera

## ML8670

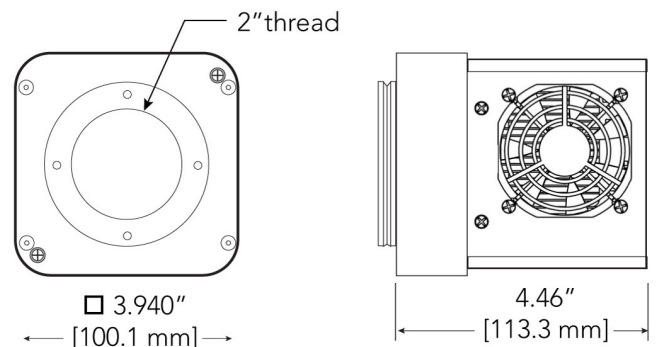
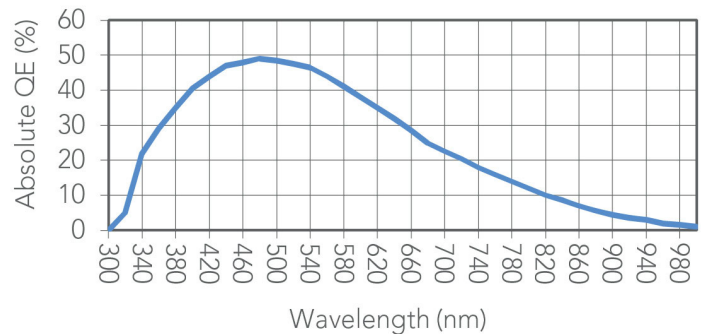
The MicroLine ML8670 features an 8.6 megapixel interline transfer CCD in APS-H optical format with very high smear rejection and high dynamic range.

### Technical Data

Sensor Type	Interline Transfer CCD
Sensor	ON Semi KAI-08670
Active Pixels	3600 x 2400
Pixel Size (microns)	7.4 x 7.4 $\mu\text{m}$
Imaging Area (Diagonal)	26.6 X 17.7 mm (31.9 mm)
Full Well Capacity	44,000 electrons
Typical_Readout Noise	8e- RMS @ 4 MHz; 11e- RMS @ 12
Typical Gain	.6e-/ADU
Dynamic Range	74.5 dB
Anti-Blooming	1000x
Cooling Method	Air (Optional liquid)
Max. Cooling (Air)	45°C below ambient
Temperature Stability	0.1°C
Dark Current (typical)	0.005 eps at -25C
Interface	USB 2.0
Digitization Clock	4 MHz & 12 MHz
Data Bit Depth	16 bit
Non-Linearity	<1%
Channels	1
Shutter	Electronic shutter; optional 45 mm
Lens Mount	Optional Nikon F-mount and Canon EOS
Subarray Readout	Standard
External Trigger In/Out	Standard
SDK / Software	USB2 / FLIGrab
Weight	2.8 lbs (1.2 kg)
Environment	-30°C to 45°C   10% - 90% Relative Humidity
Power	12V (100-240V AC to 12V DC power supply included). With TEC off: <1A.



### Absolute Quantum Efficiency



See [www.flicamera.com](http://www.flicamera.com) for alternate configurations