

512 x 512 Imaging Array Size 20 μm Pixel Size

At 3.7 x 3.7 x 5 inches the MicroLine is a small camera with big camera capabilities. Each component of the MicroLine camera is designed and manufactured for a long life in the most demanding conditions. MicroLine download speeds are fast yet maintain the 16-bit resolution necessary to produce high quality images. MicroLine achieves a minimum of 60° C sustainable cooling without water assist. Simply set the MicroLine cooling where you want it and the camera will do the rest, quickly and without worries.

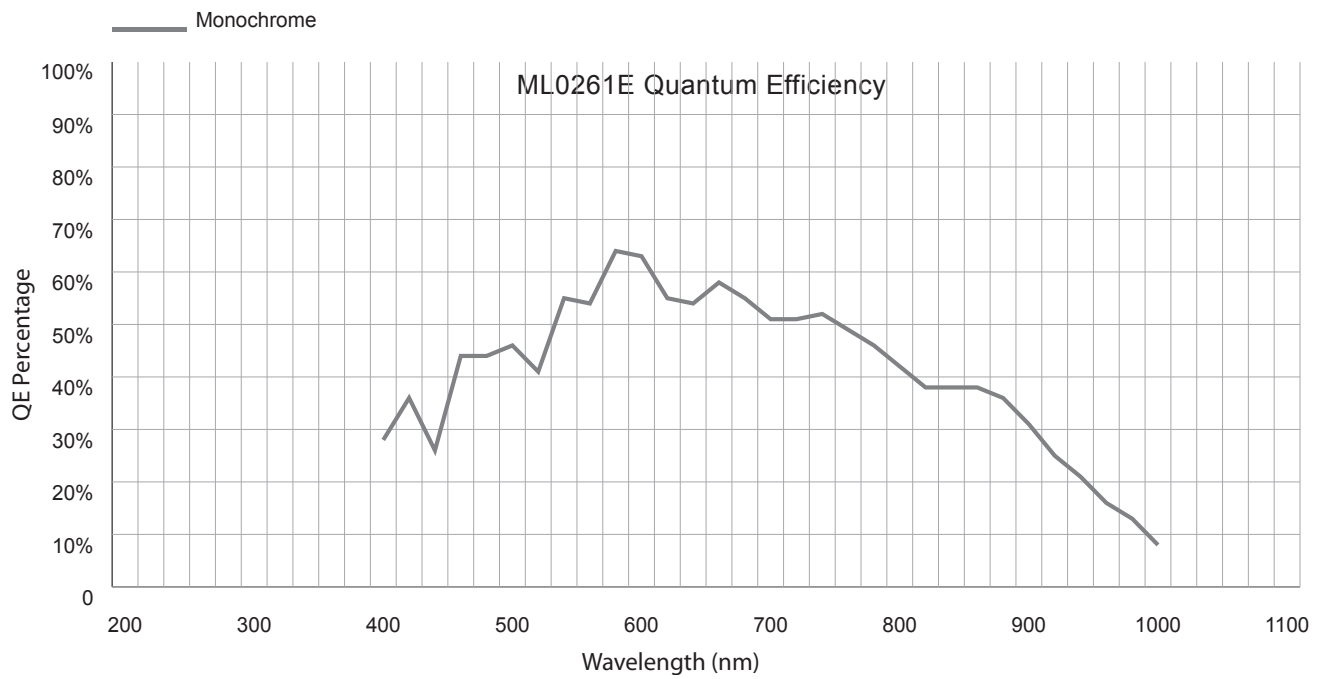


MicroLine with a Fast 45mm Shutter

Applications

- | | |
|---------------------|-------------------------|
| Digital Radiography | Gel Documentation |
| Astronomy | Forensic Imaging |
| Bioluminescence | Satellite Imaging |
| Chemoluminescence | Low Light Level Imaging |

Features	Benefits
2.8 MHz Download Speed	Fast image capture with full 16-bit resolution
512 x 512 Array Size / 20 μm Pixel Size	Resolves fine detail
Flexible Binning and Readout	Increases frame rate
Thermoelectric Cooling to -60° C	Excellent low-noise imaging
Excellent Quantum Efficiency	High sensitivity
C-Mount and F-Mount Compatible	Offers a wide variety of optical choices
Acquisition Software	Supplied with camera and includes our open source SDK
USB 2.0 Interface	Industry standard connectivity, fast data transfer



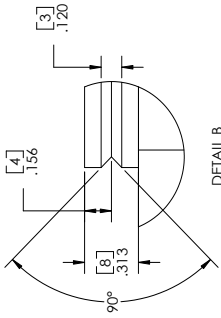
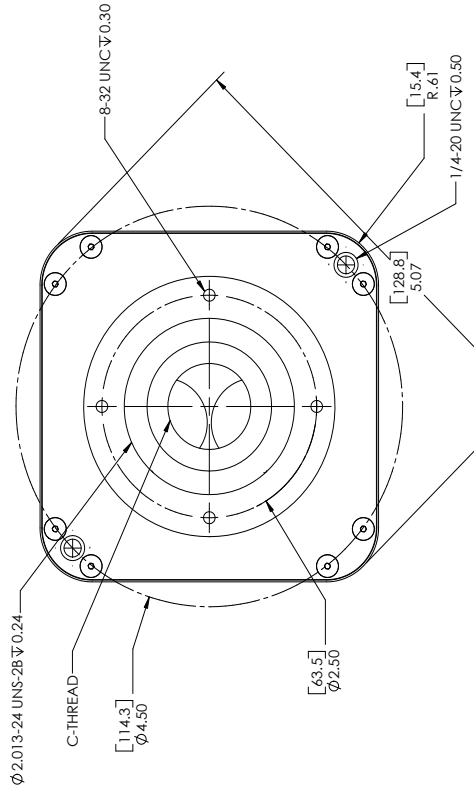
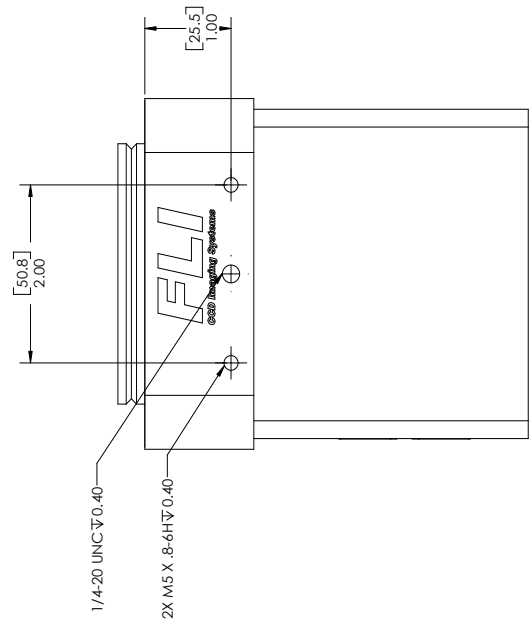
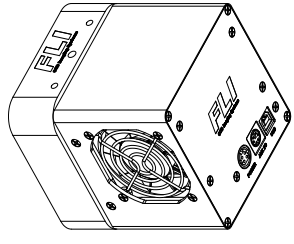
ML0261E Specifications	
Sensor	KAF-0261E
Array Size	512 x 512
Pixel Size	20 μ m
Typical Minimum Cooling	-60° C Below Ambient
Typical Download Speed @ 16-bit	2.8 MHz (other speeds available)
Typical System Noise	9 e- RMS @ 2.8 MHz
Nonlinearity	<1%
Temperature Stability	0.1° C
Operating Environment	-30° C - 45° C 10% - 90% Relative Humidity
Sensor Manufacturer	Kodak
CCD Grades Available	Standard
CCD Type	Front Illuminated
Color/Monochrome	Monochrome
Mega Pixels	0.26
Sensor Diagonal	14.5 mm
Linear Full Well	200,000 e-
Typical Dark Current	<0.3 e-/pixel/sec. @ -35° C
Anti Blooming	None
Available Shutters	25 mm
Shutter MTBF	1,000,000
Remote Triggering	Standard
Power	12v
Interface	USB 2.0
Dimensions	3.70 x 3.70 x 4.77 (94 x 94 x 121.3)

* Due to continuous development all specifications subject to change

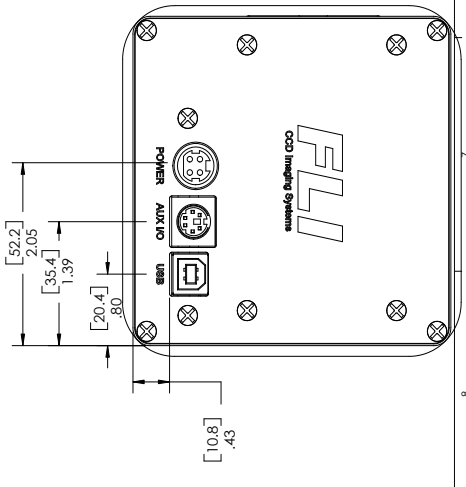
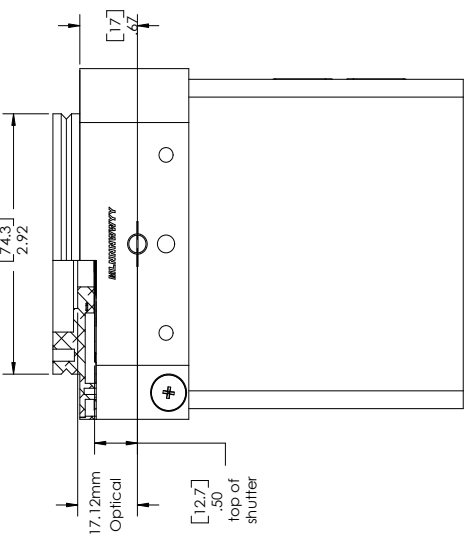
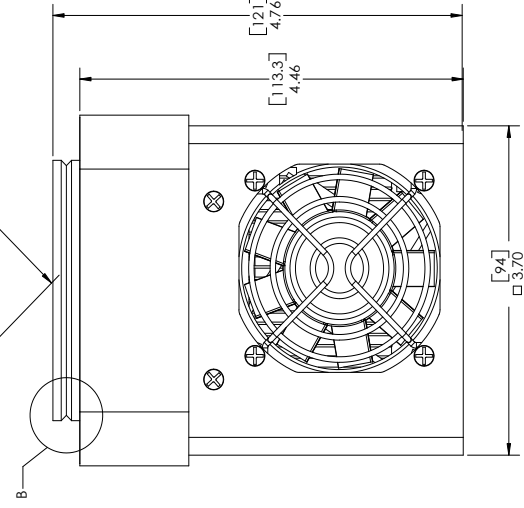


Quality. Cooled. Cameras.

REV	DESCRIPTION	DATE
1	ASSEMBLY DRAWING	05/14/06
2	CHANGE TO SPEECH HOUSING	04/20/10



DETAIL B
SCALE 2:1



UNLESS OTHERWISE SPECIFIED:		NAME	DATE	PN:
DIMENSIONS ARE IN INCHES		DRAWN	REC	05/14/06
ANGULAR DIMENSIONS ARE IN DEGREES		CHECKED		TITLE:
TOLERANCES UNLESS OTHERWISE SPECIFIED:		ENG APPR.		ASSEMBLY: ASY_MLI_ML_25MM_AC
FINISH		MFG APPR.		
DATE		G.A.		
PROPRIETARY AND CONFIDENTIAL				
THIS DRAWING IS THE PROPERTY OF CCO INNOVATIVE SYSTEMS. IT IS TO BE USED FOR THE MANUFACTURE OF THE PARTS AND ASSEMBLIES SPECIFIED HEREIN ONLY. IT IS NOT TO BE REPRODUCED OR TRANSMITTED IN ANY FORM OR BY ANY MEANS, ELECTRONIC OR MECHANICAL, INCLUDING PHOTOCOPYING, RECORDING, OR BY ANY INFORMATION STORAGE AND RETRIEVAL SYSTEM, WITHOUT THE WRITTEN PERMISSION OF CCO INNOVATIVE SYSTEMS.				
SCALE: 1:1	WEIGHT:	SHEET 1 OF 1	REV	B