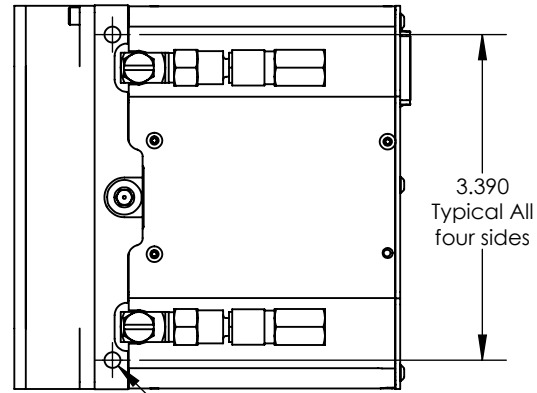
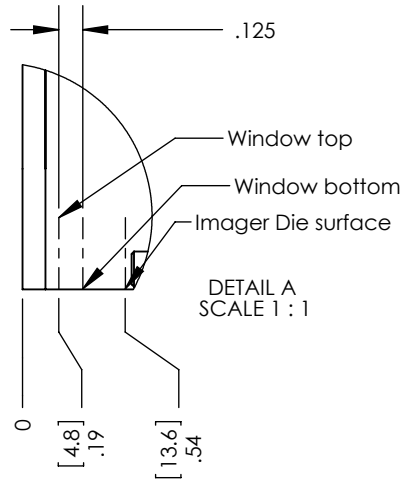
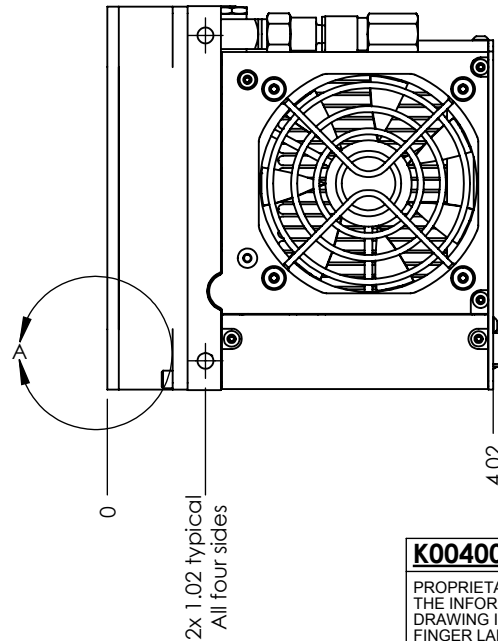
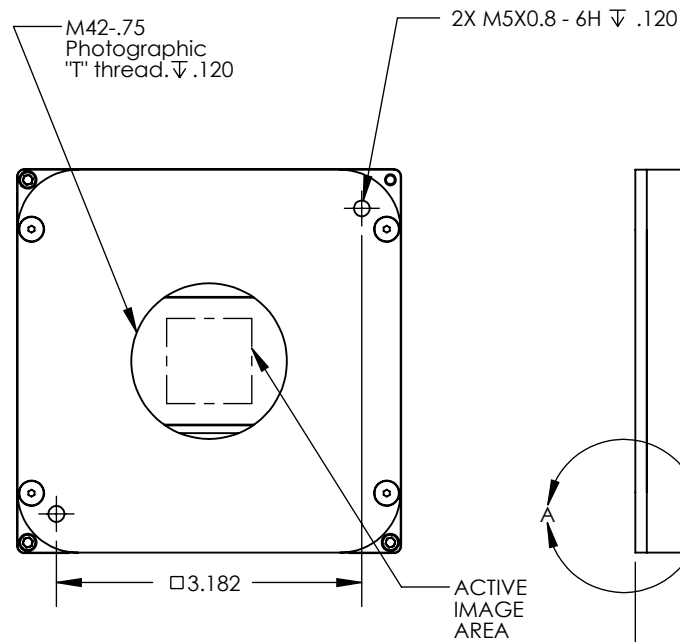


REV.	DESCRIPTION	DATE
A	RELEASE	11/10/17

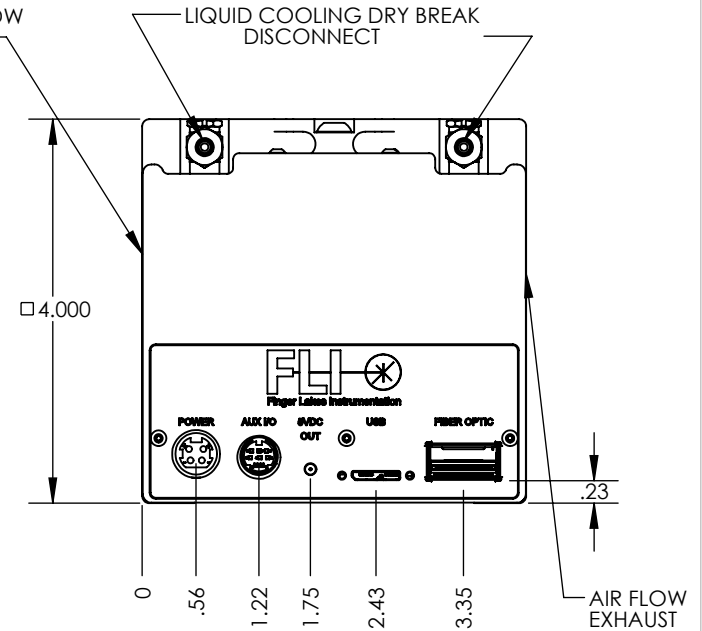


M5X0.8 - 6H  $\nabla$  .200  
2X On each side



AIR FLOW  
INLET

LIQUID COOLING DRY BREAK  
DISCONNECT



- NOTES:
- All dimensions are physical.
    - For optical distances:
      - Subtract 1mm for sealing window.
      - Subtract 0.3mm for sensor cover slip if present
  - Unless otherwise noted all dimensions are symmetrical about centerline.

**K00400 -NTN**

PROPRIETARY AND CONFIDENTIAL:  
THE INFORMATION CONTAINED IN THIS  
DRAWING IS THE SOLE PROPERTY OF  
FINGER LAKES INSTRUMENTATION.  
ANY REPRODUCTION IN PART OR AS  
A WHOLE WITHOUT THE WRITTEN  
PERMISSION OF  
FINGER LAKES INSTRUMENTATION  
IS PROHIBITED.

	NAME	DATE
DRAWN	REC	11/10/17
ENG.		
QUALITY		
PROD.		
DO NOT SCALE DRAWING		

Unless otherwise specified dimensions are in inches  
TOLERANCES:  
∠ : ±1°  
X.XX ±.01  
X.XXX ±.003  
X.XXXX ±.0005  
INTERPRET GEOMETRIC TOLERANCING PER: ASME Y14.5

SIZE	A
WT:	
REV	A
SCALE: 1:2	
SHEET 1 OF 1	