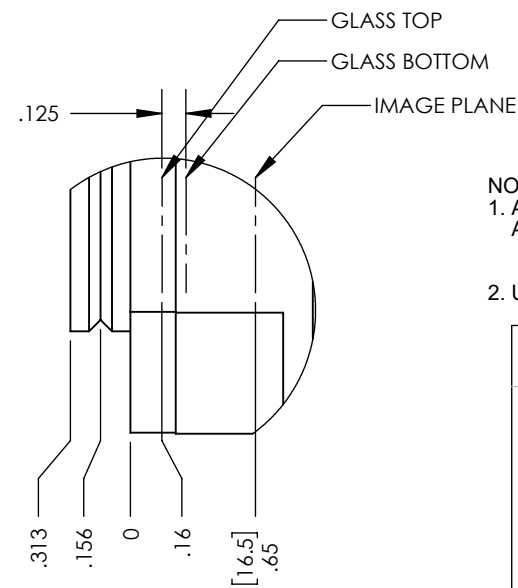
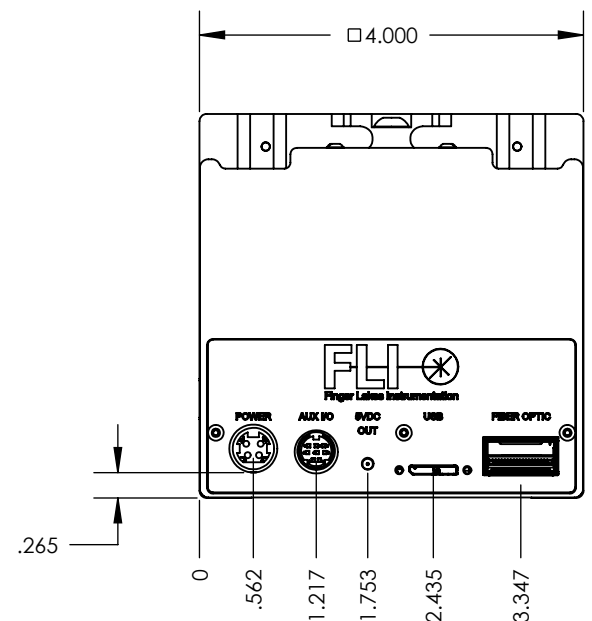


VIEW TYPICAL ALL FOUR SIDES



DETAIL A
SCALE 1 : 1

REV.	DESCRIPTION	DATE
A	RELEASE	01/15/20



- NOTES:
- All dimensions are physical.
 - For optical distances:
 - Subtract 1mm for sealing window.
 - Subtract 0.3mm for CCD cover slip if present
 - Unless otherwise noted all dimensions are symmetrical about centerline.

K_-4HA			
			PROPRIETARY AND CONFIDENTIAL: THE INFORMATION CONTAINED IN THIS DRAWING IS THE SOLE PROPERTY OF FINGER LAKES INSTRUMENTATION. ANY REPRODUCTION IN PART OR AS A WHOLE WITHOUT THE WRITTEN PERMISSION OF FINGER LAKES INSTRUMENTATION IS PROHIBITED.
DRAWN	REC	8/28/17	SIZE A
ENG.			WT: 2.84
QUALITY			REV A
PROD.			SCALE: 1:2
DO NOT SCALE DRAWING			Unless otherwise specified dimensions are in inches TOLERANCES: $\leq \pm 1^\circ$ X.XX $\pm .01</math> X.XXX \pm .003</math> X.XXXX \pm .0005</math> INTERPRET GEOMETRIC TOLERANCING PER: ASME Y14.5 $
			MATERIAL: FINISH: SHEET 1 OF 1